

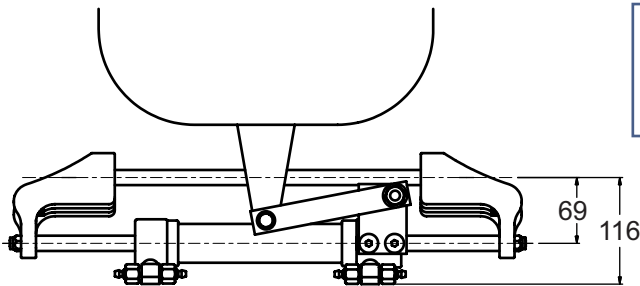
HYDRAULIC STEERING FOR OUTBOARD MOTORS



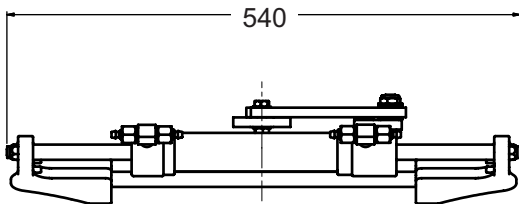
Cylinder construction
Bronze, Brass and Stainless steel

OBKIT1

For Outboards up to single 300HP or dual outboards
Counter-rotating up to 600HP total

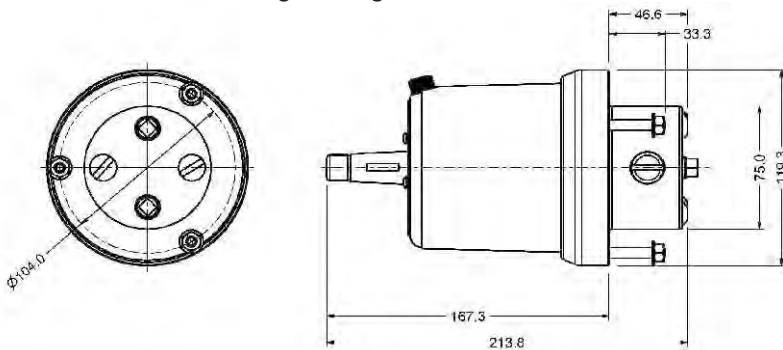


WHEEL TURNS
lock to lock
401 helm = 5.5
402 helm = 4.4



Model 211BH Cylinder dimensions

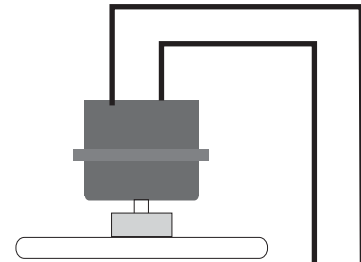
Capacity:- 154cc
Stroke:- 203mm
Weight:- 5Kg



Model 401 and 402 Helm pump dimensions

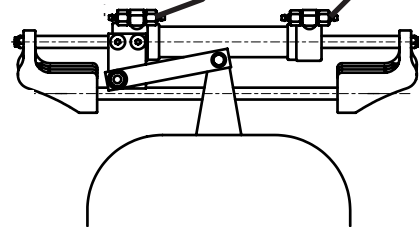
Model 401 Capacity:-28cc/rev
Model 402 Capacity:-35cc/rev
In-built Lock valve
Maximum working pressure:- 1000psi
Absolute maximum pressure:- 1500psi
Weight:- 5Kg

See also optional helm choices for front-mount
and tilting helms for this kit



OBKIT1

Complete Kit comprises:-
Model 401 Helm
Model 211BH cylinder
2 litres ULTRA-15 fluid
15Mtrs 3/8" OD Nylon tubing
Bleeding Kit
All fittings
Installation Manual
Packed weight 15Kg



SIMPLE INSTALLATION TO ANY OUTBOARD**
See steering circuits for multiple outboards and
catamaran installation options.

**For some model Honda and other 4-strokes the
211BH-Honda version is required to avoid interference
on motor cowling.


HyDrive
HYDRAULIC STEERING