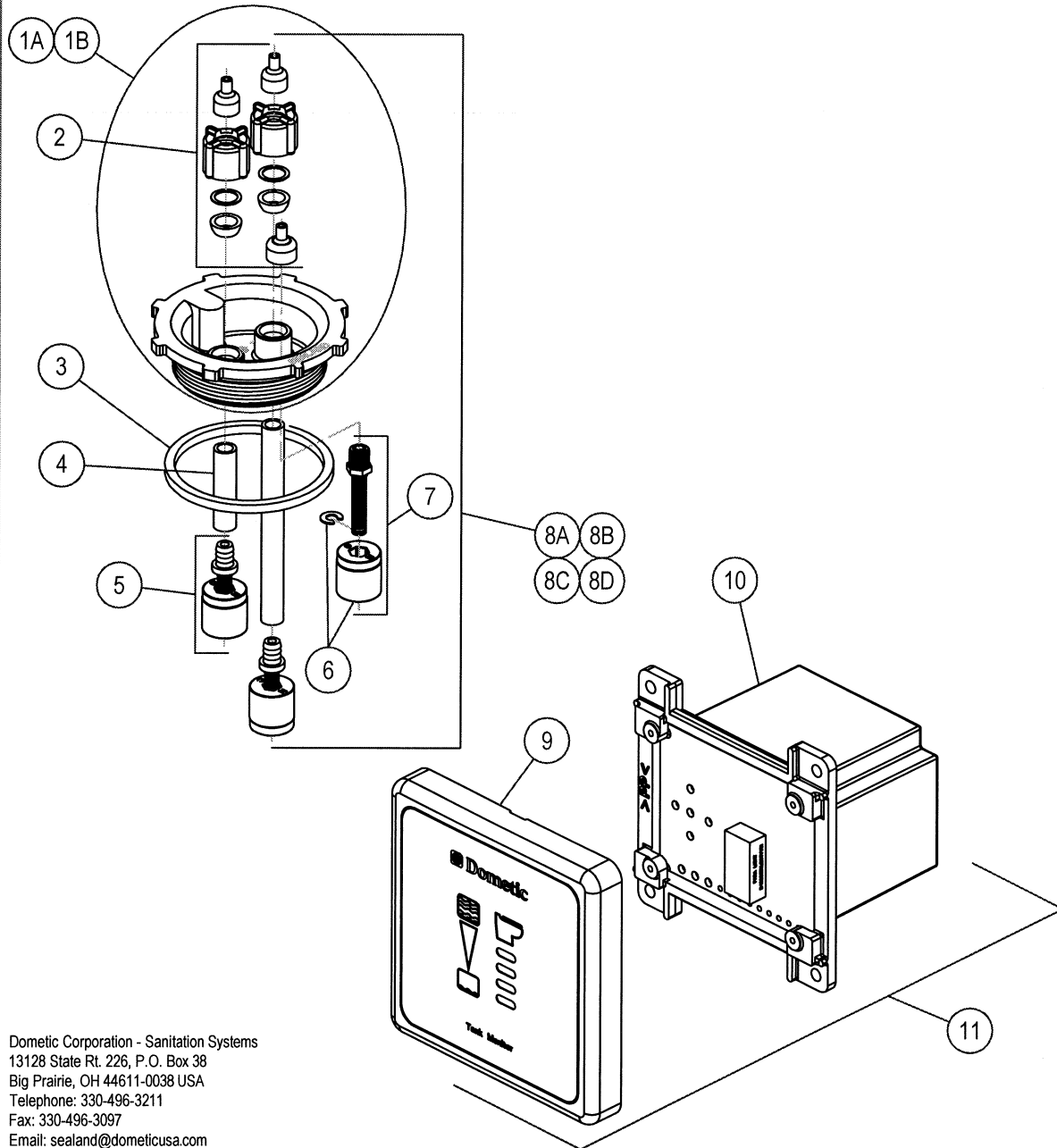


PARTS LIST: DTM04; DMT08; DTM12 MODELS



ITEM	PART NUMBER & DESCRIPTION	
1A	385311765	KIT, TWCAP ASSY W/VENT
1B	385311766	KIT, TWCAP ASSY W/O VENT
2	385310258	KIT, COMPRES NUT/ADJST CAP
3	385311250	KIT, TW CAP ORING REP'L
4	385230930	KIT, FLEX PROBE-22"
5	385310758	KIT, FLOAT/STEM - BARBED
6	385311103	KIT, SWITCH FLOAT & LOCK RING
7	385230268	KIT, FLOAT/STEM (THREADED)
8A	313000350	TWIII LEVEL CAP w/VENT
8B	313000355	TWIII LEVEL CAP W/O VENT
8C	313000345	TWIII CAP w/VENT 45" PROBES
8D	313000346	TWIII CAP w/o VENT 45" PROBES
9	385311477	KIT, PANEL CV'R DTM04-BLK
	385311478	KIT, PANEL CV'R DTM04-WHT
	385311479	KIT, PANEL CV'R DTM08-BLK
	385311480	KIT, PANEL CV'R STM08-WHT
	385311481	KIT, PANEL CV'R DTM12-BLK
	385311482	KIT, PANEL CV'R DTM12-WHT
10	385311483	KIT, CIRCUIT PNL-DTM04
	385311484	KIT, CIRCUIT PNL-DTM08
	385311485	KIT, CIRCUIT PNL-DTM12
11	313604401	DTM04 PNL ONLY - BLACK
	313604411	DTM04 PNL ONLY - WHITE
	313608401	DTM08 PNL ONLY - BLACK
	313608411	DTM08 PNL ONLY - WHITE
	313612401	DTM12 PNL ONLY - BLACK
	313612411	DTM12 PNL ONLY - WHITE