

Keep this
manual onboard!



SLEIPNER
Ocean born. Tech bred.

User Manual

Including Installation For Control Panels
8950G, 8955G, 8960, 8965, 8940, 8909C



8950 G



8960



8940



8955 G



8965



8909C

SLEIPNER AS

P.O. Box 519

N-1612 Fredrikstad

Norway

www.sleipnergroup.com

DOCUMENT ID: 3023

REVISION: 9

DATE: 2021

LANGUAGE: EN

**M
M
U
I**

To download your language go to www.sleipnergroup.com

Contents

Considerations and Precautions	3
Measurements	4 - 5
Control Panel	6 - 7
Control Panel Installation.....	8
Visual Wiring Diagram	9 - 10
Service and Support	11
Product Spare Parts and Additional Resources	11
Warranty statement	11

Products

8950 G - Touchpanel, 12/24V
8955 G - Touchpanel, Rundt 12/24 Volt
8960 G - Joystickpanel 8960 G
8960 S - Joystickpanel 8960 Black
8965 - Boatswitchpanel, Round 12/24 V
8940 G - Joystickpanel Dobbelt
8940 S - Joystickpanel Dobbelt Black
8909C - Docking Control Sleipner Std.

DECLARATION OF CONFORMITY

MC_0020a5



Sleipner Motor AS
P.O. Box 519, Arne Svendsensgt. 6-8
N-1612 Fredrikstad, Norway

Declare that this product with accompanying standard control systems complies with the essential health and safety requirements according to:

DIRECTIVE 2013/53/EU
DIRECTIVE 2014/30/EU
DIRECTIVE 2014/35/EU

RESPONSIBILITY OF INSTALLER

The installer must read this document to ensure necessary familiarity with the product before installation.

Instructions in this document cannot be guaranteed to comply with all international and national regulations. It is the responsibility of the installer to follow all applicable international and national regulations when installing Sleipner products.

The recommendations given in this document are guidelines ONLY, and Sleipner strongly recommends that advice is obtained from a person familiar with the particular vessel and applicable regulations.

This document contains general installation instructions intended to support experienced installers. If you are not skilled in this type of work, please contact a professional installer for assistance.

If required by local regulation, electrical work must be done by a licensed professional.

Health and safety procedures must be followed during installation.

Faulty installation of Sleipner products will render all warranties given by Sleipner Motor AS.

MC_0038a5

Installation Considerations and Precautions

MC_0356a5

- These panels will only work with Side-Power thrusters with a built in electronic control box and a 4/5 lead control cable system.
- Display area are waterproof when installed correctly. ***(NB: Never submerge the entire control panel unit in water as this will damage the product and cause a short-circuit)***

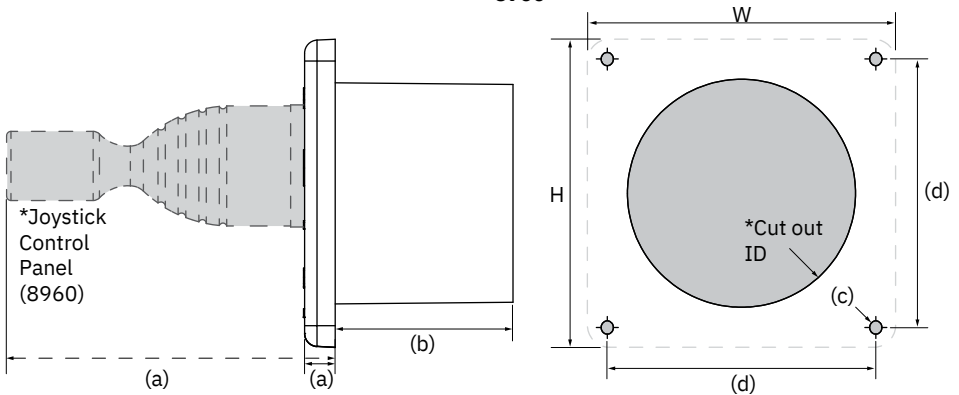
Measurements

MC_0357a5

Measurement code	Measurement description	*8950		*8960		*8955		*8965	
		mm	inch	mm	inch	mm	inch	mm	inch
ID	Internal panel diameter cut out	51.8	2	51.8	2	51.8	2	51.8	2
D	panel diameter	-	-	-	-	86	3.39	86	3.39
H	Panel Height	71	2.8	71	2.8	-	-	-	-
W	Panel width	71	2.8	71	2.8	-	-	-	-
(a)	Raised height above the dashboard	7	0.26	75.3	2.96	10.7	0.42	25.21	1
(b)	Depth behind the dashboard (not inc. cables)	41	1.61	41.4	1.63	39	1.5	39	1.5
(c)	Panel screw hole diameter	3	0.12	3	0.12	2.5	0.10	2.5	0.10
(d)	Distance between panel screw holes	61	2.4	61	2.4	53	2.09	53	2.09

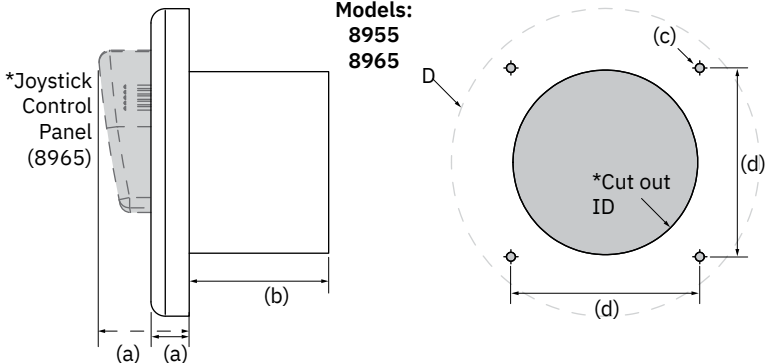
Models:

**8950
8960**



Models:

**8955
8965**

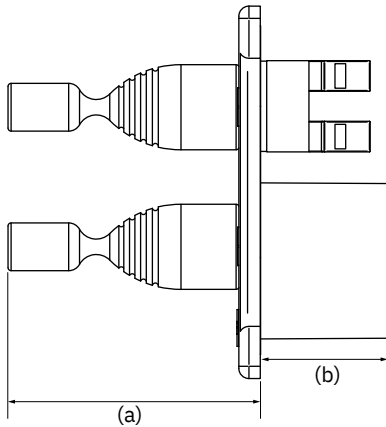


MG_0395a5

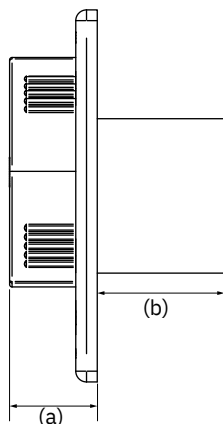
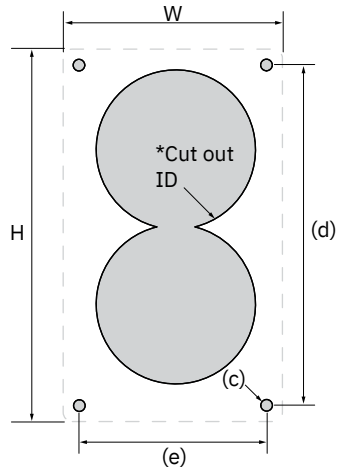
Measurements

MC_0357a5

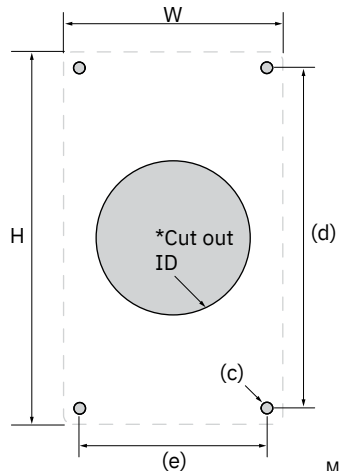
Measurement code	Measurement description	*8940		*8909C	
		mm	inch	mm	inch
ID	Internal panel diameter cut out	52	2.05	52	2.05
H	Panel Height	121.6	4.79	121.2	4.79
W	Panel width	71.6	2.8	72	2.8
(a)	Raised height above the dashboard	82.4	3.2	28.56	1.12
(b)	Depth behind the dashboard (not inc. cables)	41.5	1.63	41.5	1.63
(c)	Panel screw hole diameter	2.5	0.10	2.5	0.10
(d)	Distance between panel screw holes	111.1	4.37	111.1	4.37
(e)	Distance between panel screw holes	61.1	2.4	61.1	2.4



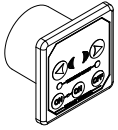
Models:
8940



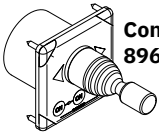
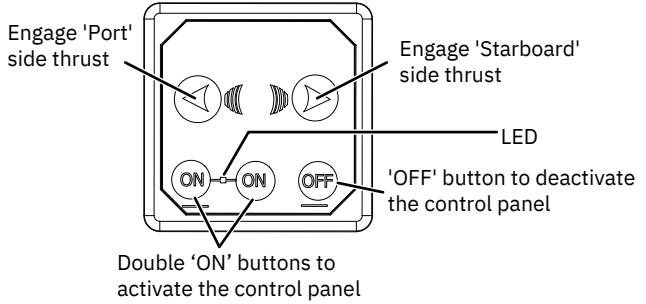
Models:
8909C



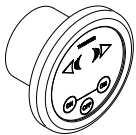
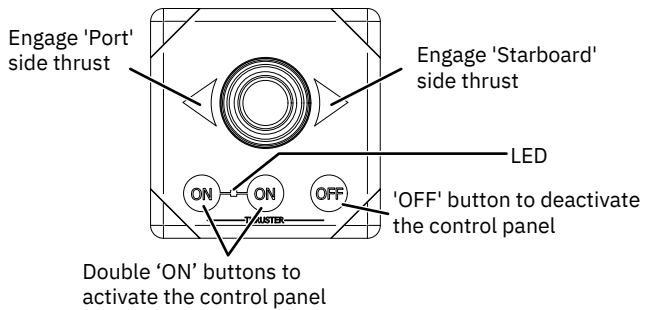
Control Panel



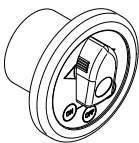
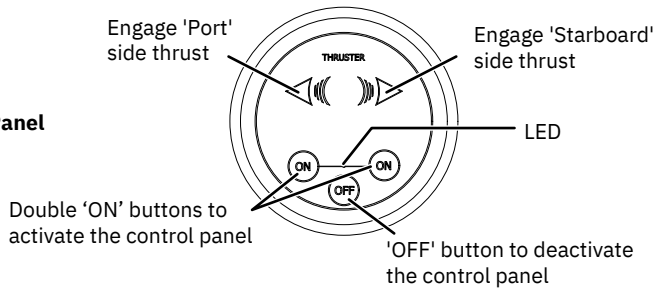
Control Panel 8950



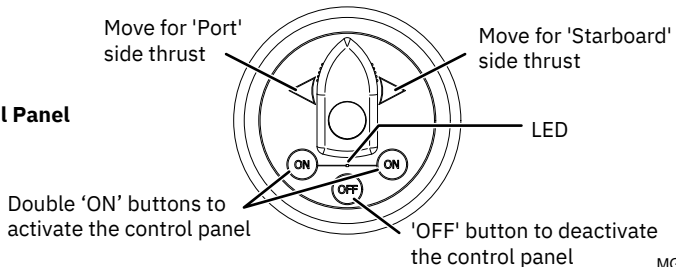
Control Panel 8960



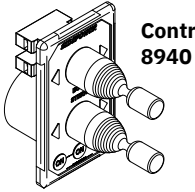
Control Panel 8955



Control Panel 8965



Control Panel

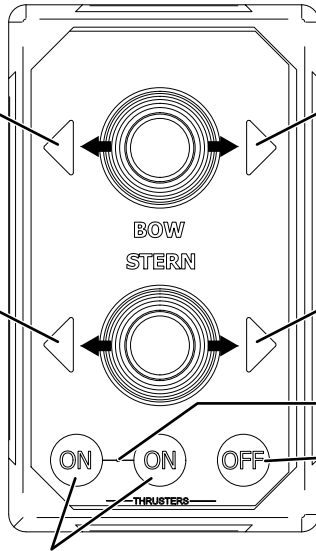


Move joystick for 'Port' bow side thrust

Move joystick for 'Starboard' bow side thrust

Move joystick for 'Port' stern side thrust

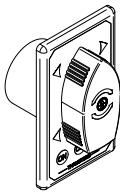
Move joystick for 'Starboard' stern side thrust



LED

'OFF' button to deactivate the control panel

Double 'ON' buttons to activate the control panel

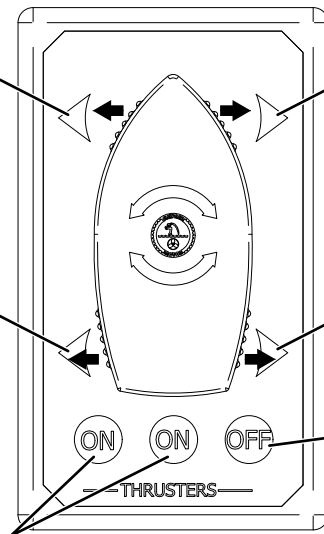


Move joystick for 'Port' bow side thrust

Move joystick for 'Starboard' bow side thrust

Move joystick for 'Port' stern side thrust

Move joystick for 'Starboard' stern side thrust



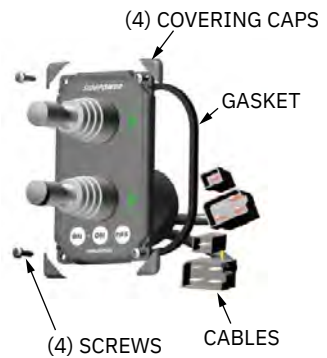
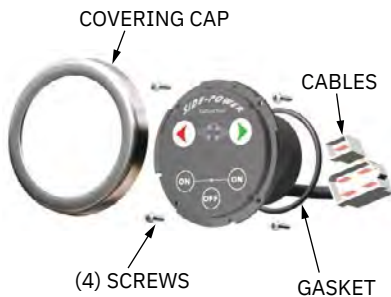
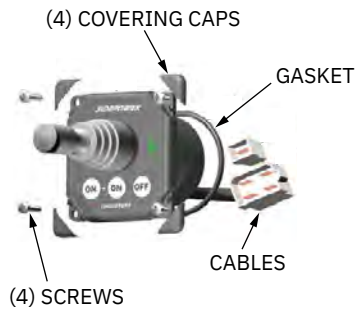
'OFF' button to deactivate the control panel

Double 'ON' buttons to activate the control panel

! Please refer to the graphic for special considerations relating to your model !

Find a suitable location for the control panel where it does not obstruct or is obstructed by other devices. Install the control panel on a flat surface where it is easy to use.

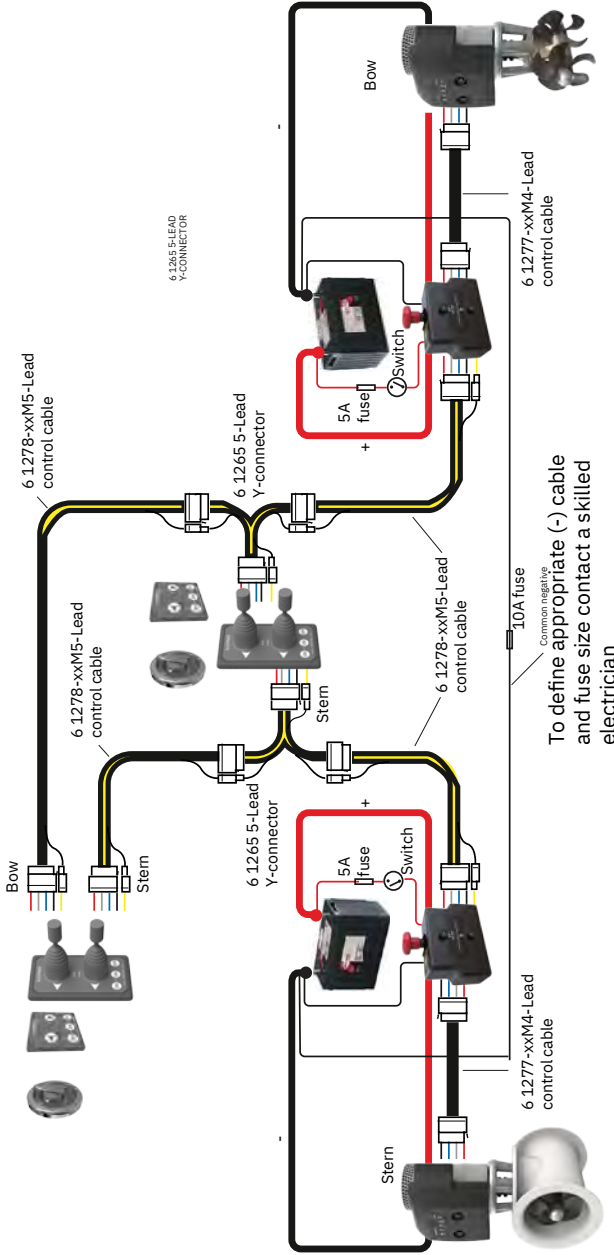
1. Use the supplied cut-out template to mark the area to remove on your control dash.
2. Cut out the area per template for the control panel. **(NB: If the front surface around your cut out is jagged or chipped, use a sealant to assist the gasket.)**
3. Place the gasket to the back face of the panel
4. Plug cables into the connectors at the rear of the control panel.
5. Insert the control panel in place and fasten screws.
6. Insert the control panels covering caps.



MG_0026a5

Visual Wiring Diagram

With Automatic Main Switch:

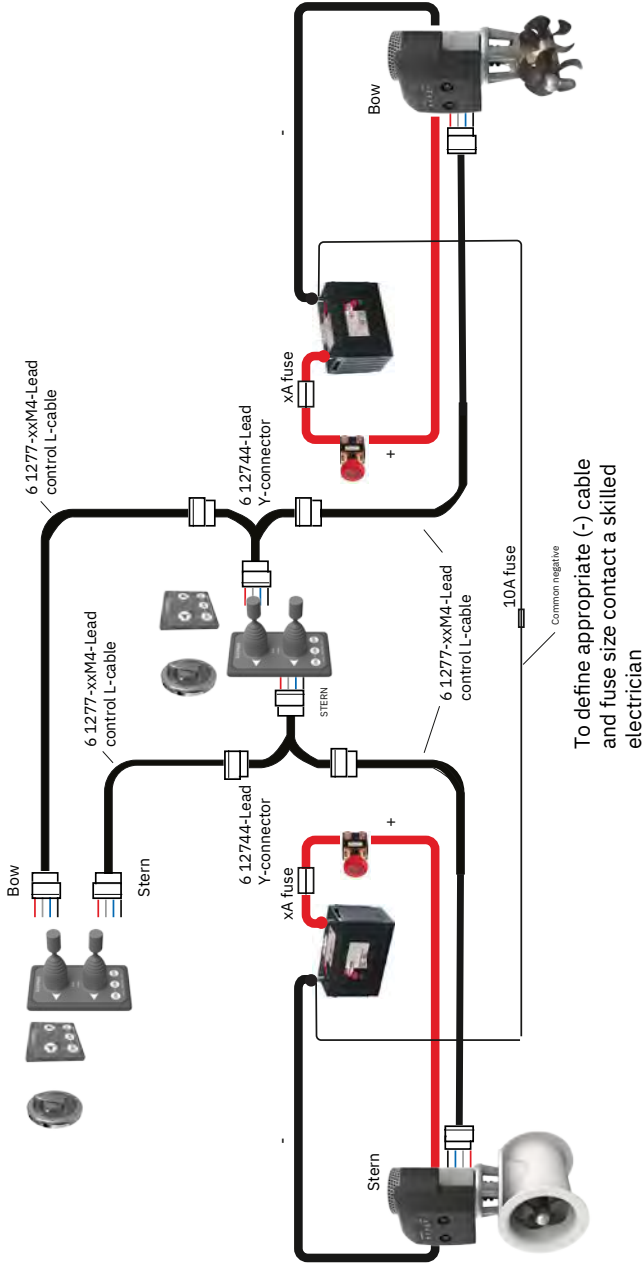


IMPORTANT

Check the following with the main switch in the off position. After all electrical connections have been completed check with an ohm meter that there is no electrical connection between electro motor body and positive terminal on the motor and between the electro motor body and the negative (A.1) terminal on the motor. If you feel unsure about how to perform this check, contact skilled personnel for guidance. Common negative **MUST** be wired when using control panel 8940 and 8909C if separate battery banks are installed. (Bow and Stern thrusters combined)

Visual Wiring Diagram

With Manual Main Switch:



IMPORTANT

Check the following with the main switch in the off position. After all electrical connections have been completed check with an ohm meter that there is no electrical connection between electro motor body and positive terminal on the motor and between the electro motor body and the negative (A1) terminal on the motor. If you feel unsure about how to perform this check, contact skilled personnel for guidance.

Common negative **MUST** be wired when using control panel 8940 and 8909C if separate battery banks are installed. (Bow and Stern thrusters combined)

Service and Support

MC_0024a5

Find your local professional dealer from our certified worldwide network for expert service and support. Visit our website www.sleipnergroup.com/support

Product Spare Parts and Additional Resources

MC_0024a5

For additional supporting documentation, we advise you to visit our website www.sleipnergroup.com and find your Sleipner product.

Warranty statement

MC_0024a5

1. Sleipner Motor AS (The "Warrantor") warrants that the equipment (parts, materials and embedded software of products) manufactured by the Warrantor is free from defects in workmanship and materials for the purpose for which the equipment is intended and under normal use and service (the "Warranty").
2. This Warranty is in effect for two years (Leisure Use) or one year (Commercial and other Non-leisure Use) from the date of purchase by the end user (for demonstration vessels, the dealer is deemed as end user).
3. This Warranty is transferable and covers the equipment for the specified warranty period.
4. The warranty does not apply to defects or damages caused by faulty installation or hook-up, abuse or misuse of the equipment including exposure to excessive heat, salt or fresh water spray, or water immersion except for equipment specifically designed as waterproof.
5. In case the equipment seems to be defective, the warranty holder (the "Claimant") must do the following to make a claim:
 - (a) Contact the dealer or service centre where the equipment was purchased and make the claim. Alternatively, the Claimant can make the claim to a dealer or service centre found at www.sleipnergroup.com. The Claimant must present a detailed written statement of the nature and circumstances of the defect, to the best of the Claimant's knowledge, including product identification and serial nbr., the date and place of purchase and the name and address of the installer. Proof of purchase date should be included with the claim, to verify that the warranty period has not expired;
 - (b) Make the equipment available for troubleshooting and repair, with direct and workable access, including dismantling of furnishings or similar, if any, either at the premises of the Warrantor or an authorised service representative approved by the Warrantor. Equipment can only be returned to the Warrantor or an authorised service representative for repair following a pre-approval by the Warrantor's Help Desk and if so, with the Return Authorisation Number visible postage/shipping prepaid and at the expense of the Claimant.
6. Examination and handling of the warranty claim:
 - (a) If upon the Warrantor's or authorised service Representative's examination, the defect is determined to result from defective material or workmanship in the warranty period, the equipment will be repaired or replaced at the Warrantor's option without charge, and returned to the Purchaser at the Warrantor's expense. If, on the other hand, the claim is determined to result from circumstances such as described in section 4 above or a result of wear and tear exceeding that for which the equipment is intended (e.g. commercial use of equipment intended for leisure use), the costs for the troubleshooting and repair shall be borne by the Claimant;
 - (b) No refund of the purchase price will be granted to the Claimant, unless the Warrantor is unable to remedy the defect after having a reasonable number of opportunities to do so. In the event that attempts to remedy the defect have failed, the Claimant may claim a refund of the purchase price, provided that the Claimant submits a statement in writing from a professional boating equipment supplier that the installation instructions of the Installation and Operation Manual have been complied with and that the defect remains.
7. Warranty service shall be performed only by the Warrantor, or an authorised service representative, and any attempt to remedy the defect by anyone else shall render this warranty void.
8. No other warranty is given beyond those described above, implied or otherwise, including any implied warranty of merchantability, fitness for a particular purpose other than the purpose for which the equipment is intended, and any other obligations on the part of the Warrantor or its employees and representatives.
9. There shall be no responsibility or liability whatsoever on the part of the Warrantor or its employees and representatives based on this Warranty for injury to any person or persons, or damage to property, loss of income or profit, or any other incidental, consequential or resulting damage or cost claimed to have been incurred through the use or sale of the equipment, including any possible failure or malfunction of the equipment or damages arising from collision with other vessels or objects.
10. This warranty gives you specific legal rights, and you may also have other rights which vary from country to country.

Patents

MC_0024a5

At Sleipner we continually reinvest to develop and offer the latest technology in marine advancements. To see the many unique designs we have patented visit our website www.sleipnergroup.com/patents

© Copyright Sleipner Motor AS, 2021

The information given in the document was correct at the time it was published. However, Sleipner Motor AS can not accept liability for any inaccuracies or omissions it may contain. Continuous product improvement may change the product specifications without notice. Therefore, Sleipner Motor AS can not accept liability for any possible differences between product and document.

Register your product and learn more at www.sleipnergroup.com



SLEIPNER AS

P.O. Box 519

N-1612 Fredrikstad

Norway

www.sleipnergroup.com

Made in Norway

