



Picture shows the elegant style of 6501-TC-E control head



Picture shows the electronic control head 6501-ATC c/w the optional panel base

MODEL 6501 ILLUMINATED ELECTRONIC CONTROL HEAD

The 6501 is the illuminated version of the 6505 control head which offers not only compact design but the features of a full size control. Where space and visibility are limited this is the head of choice.

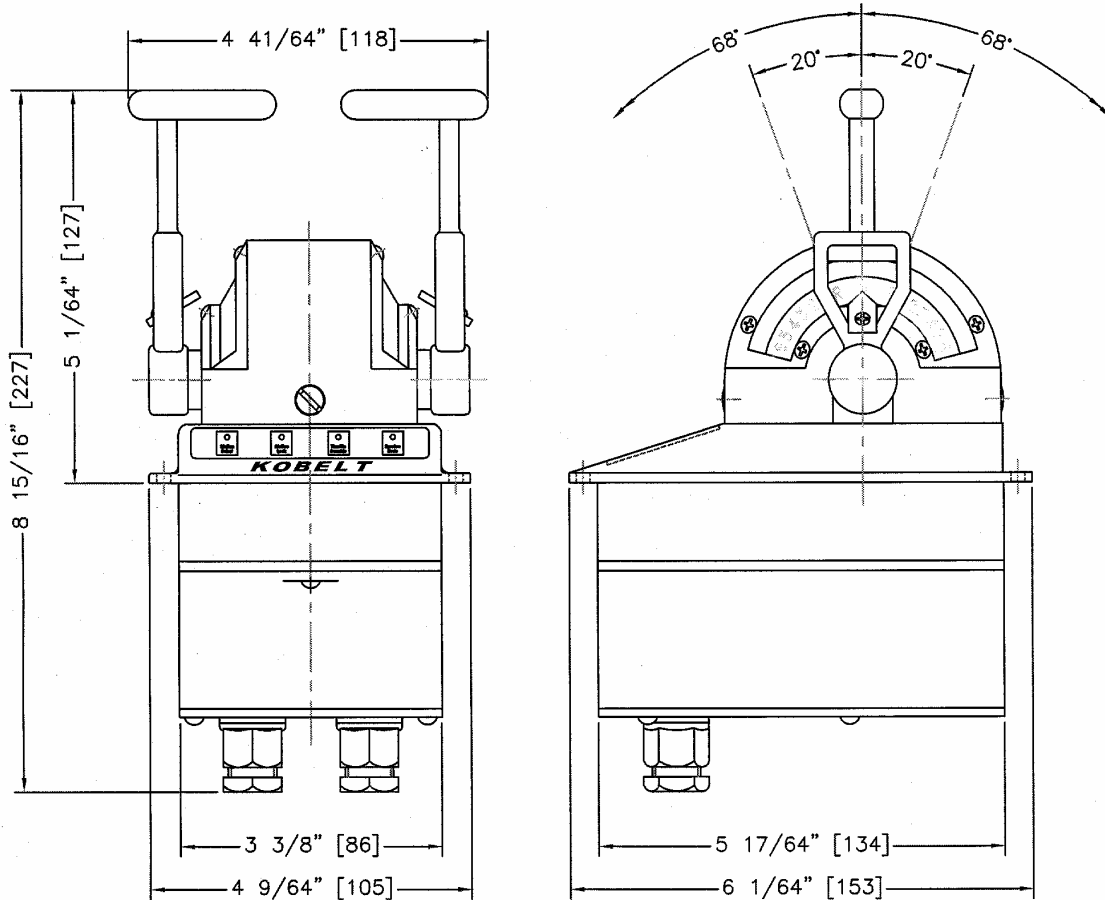
The housing and handles are manufactured in bronze and stainless steel. Finish options include chrome, black or white epoxy paint and polished bronze.

The unit uses a water resistant keypad but is not waterproof. The keypad offers switches for the standard features: Station Select, Station Lock, Throttle Override and Synchronization. Incorporation of the latest electronic technology allows this head to team up with any of the Kobelt control systems.

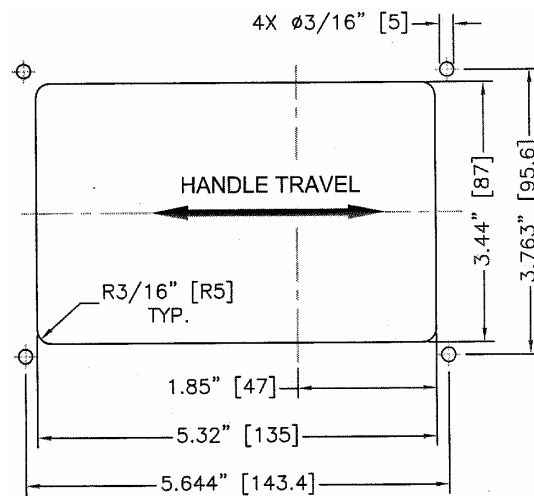
The standard head comes without base but with potentiometers. Options are available.

| | |
|------------------|---|
| # Engines: | single or twin |
| Finish: | chrome or black or white or polished bronze |
| Handle: | standard, plastic grip or 'Elegant' style |
| # Potentiometer: | one or two |
| Panel keypad: | four switches |

MODEL 6501

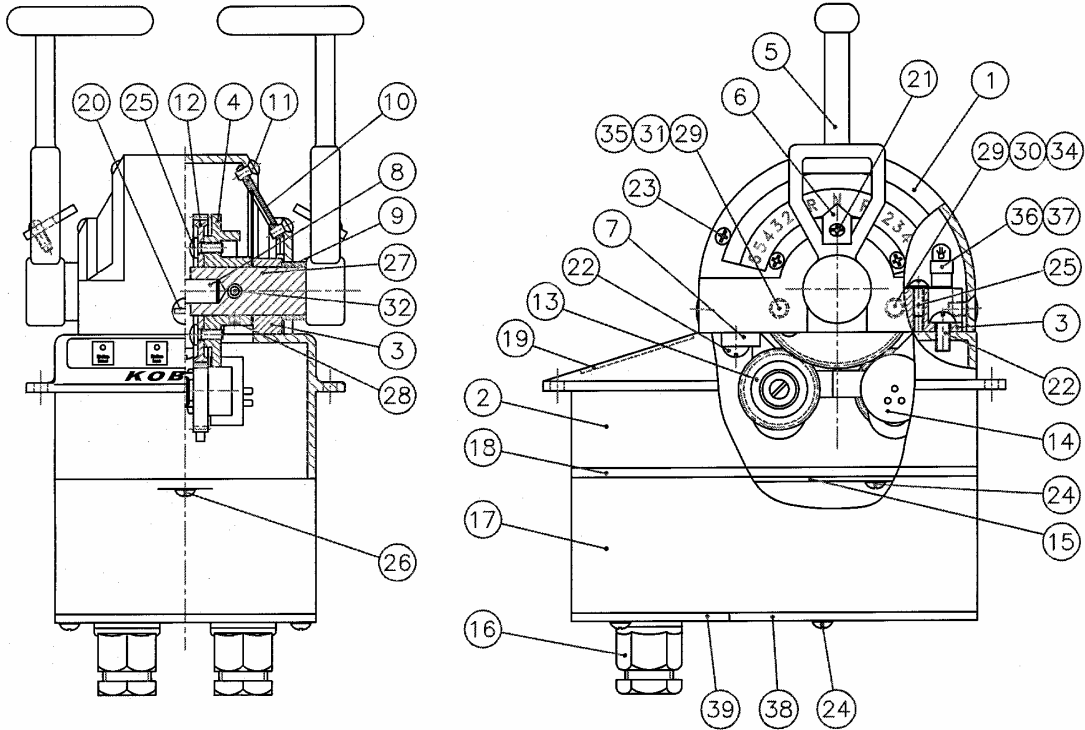


All Dimensions in inches (mm)



CUT-OUT DIMENSIONS

Parts List Model 6501



| Item | Qty | Part Number | Description | Item | Qty | Part Number | Description |
|------|-----|-------------|-----------------------------|------|-----|-------------|--------------------------|
| 1 | 1 | 6501-0001 | Dome | 22 | 6 | 1010-0806 | Rd Hd Philips capscrew |
| 2 | 1 | 6501-0002 | Upper box | 23 | 12 | 1011-0404 | Oval hd Philips capscrew |
| 3 | 1 | 6501-0003 | Frame | 24 | 8 | 1012-0604 | Pan hd Philips capscrew |
| 4 | 2 | 6501-0004 | Cam | 25 | 4 | 1012-0606 | Pan hd Philips capscrew |
| 5 | 2 | 6501-0005 | Handle | 26 | 2 | 1012-0608 | Pan hd Philips capscrew |
| 6 | 2 | 6501-0006 | Pointer | 27 | 2 | 6501-0012 | Handle shaft |
| 7 | 1 | 6501-0007 | Bracket | 28 | 2 | 1016-0602 | Set screw |
| 8 | 1 | 6501-0008 | Inner pin | 29 | 4 | 1016-1204 | Set screw |
| 9 | 2 | 6501-0009 | Spacer | 30 | 2 | 2542-0008 | Friction plug |
| 10 | 1 | 6501-0010L | Label - left | 31 | 2 | 2009-0011 | Detent plunger |
| 10 | 1 | 6501-0010R | Label - right | 32 | 2 | 1024-0816 | Spring pin |
| 11 | 2 | 6501-0011 | Label support | 34 | 2 | 1201-0205 | Spring (friction) |
| 12 | 2 | 6501-3264 | Spur gear, 64T | 35 | 2 | 1201-0206 | Spring (detent) |
| 13 | 2 | YPB-3232 | Spur gear, 32T | 36 | 4 | 6522-0013 | Lamp socket 53-223-6 |
| 14 | 2 | Pot-5 | Potentiometer, 5K | 37 | 4 | 6522-0028 | Lamp #85 |
| 15 | 1 | 6505-1001-C | Head board (6525 system) | 38 | 1 | 6505-0004-L | Cover plate - large |
| 15** | 1 | 6505-2001 | Head board (Mighty Mariner) | 39 | 1 | 6505-0004-S | Cover plate - small |
| 16 | 2 | 6001-0249 | Connection gland | | | | |
| 17 | 1 | 6505-0002 | Lower box | 5** | 2 | 6501-0105 | Handle (single engine) |
| 18 | 1 | 6505-0003 | Mounting frame | 5** | 2 | 6501-0205 | Handle (Elegante style) |
| 19 | 1 | 6509-0019 | Switch pad (standard) | 5a** | 1 | 6501-0013 | Rubber insert |
| 20 | 2 | 1005-0806 | Oval hd slot capscrew | 5b** | 1 | 6501-0014 | Hand grip |
| 21 | 2 | 1010-0604 | Rd Hd Philips capscrew | 5c** | 2 | 1011-1028 | Oval hd Philips capscrew |

** options