

Kobelt Manufacturing Co. Ltd.

6657 - Integrated Steering & Propulsion Electronic Control

This 6657 Integrated Steering & Propulsion Electronic Control Head provides propulsion controls for clutch and throttle plus full follow up (FFU) steering rudder control, all comfortably operated by a single hand. The 6657 is ideally suited for a navigation station with limited space due to its compact footprint.

The 6657 provides clutch and throttle propulsion control. It is available in either Single or Twin Engine handle configurations. Push the lever forward 20° to engage the forward gear. Push the lever another 60° for your throttle control from engine idle to maximum RPM. From the upright position, pull the lever backwards for reverse operation. Available with single or dual 5Kohm potentiometers for propulsion signal output.



The 6657 contains illuminated position gauges and is available with single or dual potentiometers for the steering systems and is intended for use with electric over hydraulic steering systems for rudder angles up to 45° per side. The head is constructed entirely of die cast bronze complimented by stainless-steel hardware for longevity in a marine environment.

The housing is finished in a combination of painted black and chrome.

Product Weight: 4.0 kg [8.8 lbs]

Product Dimensions (W x L x H): 114 x 136 x 127 mm [4.5" x 5.375" x 5.0"]

Recommended Panel Cut-out: 90 x 90 mm [3.5" x 3.5"]

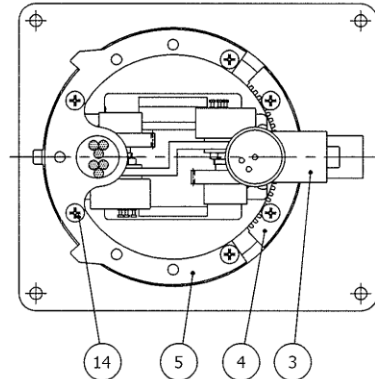
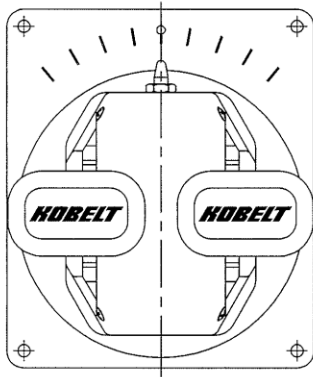
Please visit www.kobelt.com for more information



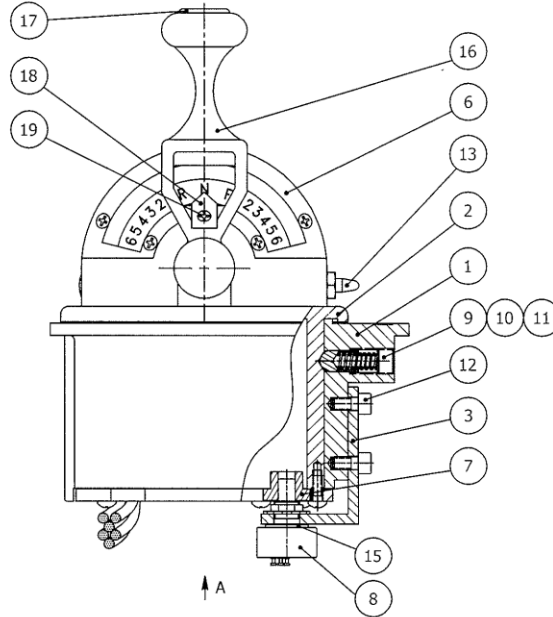
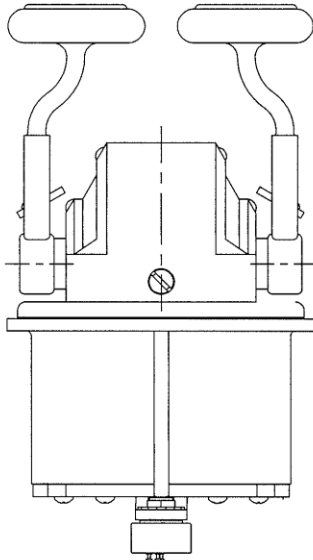
8238 – 129th Street, Surrey, B.C. Canada V3W 0A6
Telephone: 604-572-3935, Fax: 604-590-8313, www.kobelt.com

Kobelt Manufacturing Co. Ltd.

PARTS LIST



VIEW A-A



Item	Qty	Part No.	Description	Item	Qty	Part No.	Description
1	1	6657-0001	Outer housing	11	1	1016-1204	Set screw
2	1	6657-0002	Inner housing	12	2	1022-0822	Socket hd cap screw
3	1	6657-0003	Potentiometer bracket	13	1	6653-0018	Pointer
4	1	6657-0004	Driving gear bracket	14	6	1012-0606	Pan hd screw
5	1	6657-0005	Bracket	15	1	7169-0015	Spacer
6	1	6501-T	6501 Dome Assembly	16	2	6657-0006	Handle
7	1	.YPB-3228	Gear	17	2	6501-0013	Handle insert
8	1	POT-1	Potentiometer, 1K	18	2	6501-0006	Pointer
9	1	2009-0011	Detent	19	2	1010-0604	Round head screw
10	1	1201-0062	Detent spring				



8238 – 129th Street, Surrey, B.C. Canada V3W 0A6

Telephone: 604-572-3935, Fax: 604-590-8313, www.kobelt.com