



MODEL 7163 RUDDER FEEDBACK UNIT

This unit is compact version of the series of rudder angle indicators. It is designed to be mechanically connected to the rudder stock. Its purpose is to feed back the rudder angle position to such items as the Auto Pilot, Full Follow Up control systems and Rudder Angle Indicators. This unit is available with up to 3 potentiometers and 2 micro switches. As all Kobelt products do, this product is constructed of bronze and stainless steel which is well suited for the marine environment.

Approx. weight: 4.5 lb (2 kg)

ORDERING INFORMATION

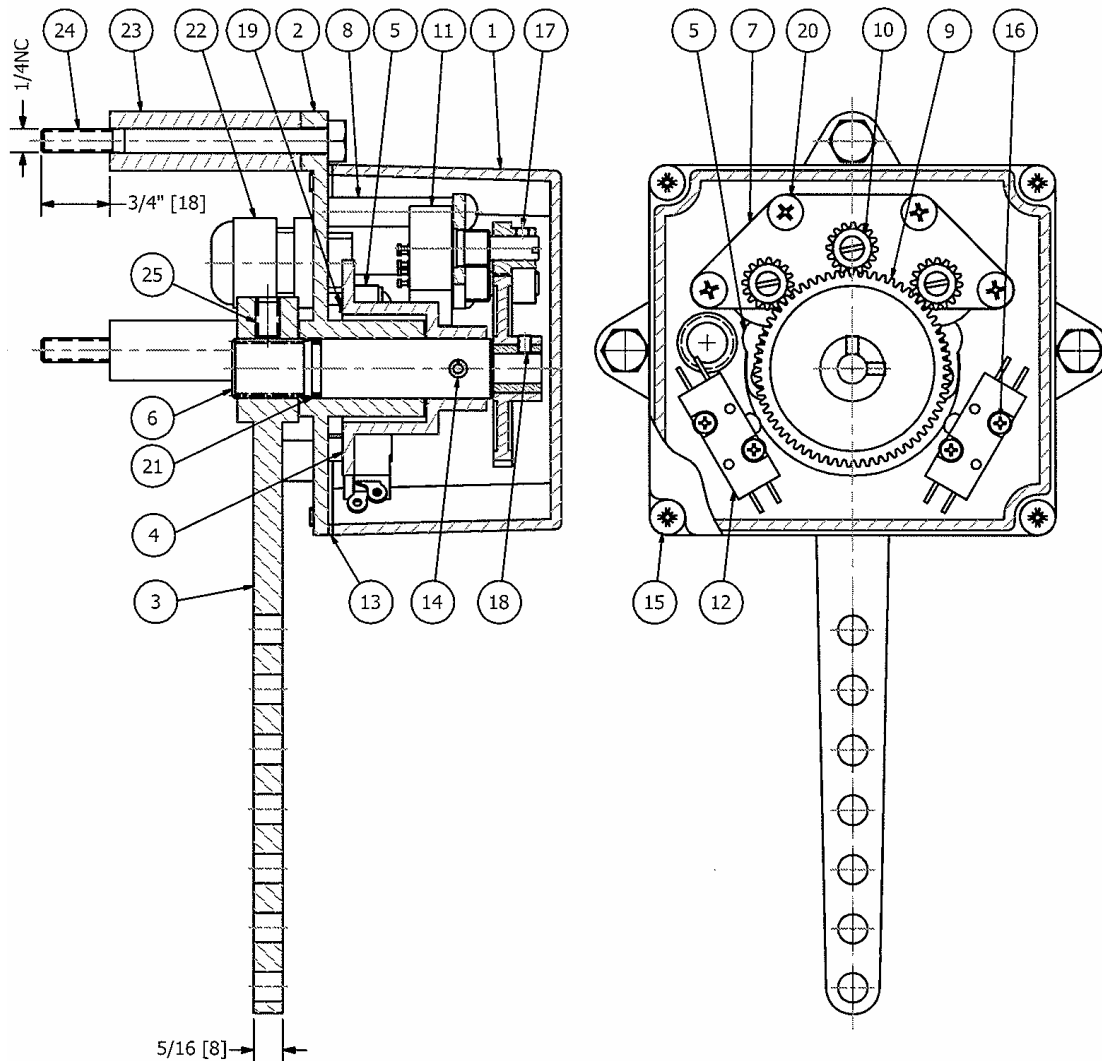
- A 2 Switches and 1 Potentiometer
- B 2 Switches and 2 Potentiometers
- C 2 Switches and 3 Potentiometers
- P 1 Potentiometer

e.g. 7163-C
2 switches and 3 potentiometers

Note: Ohms rating for potentiometer must be specified when ordering.
Standard rating is 1 K-ohm.

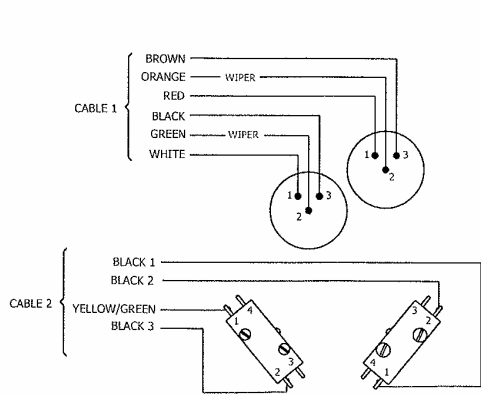
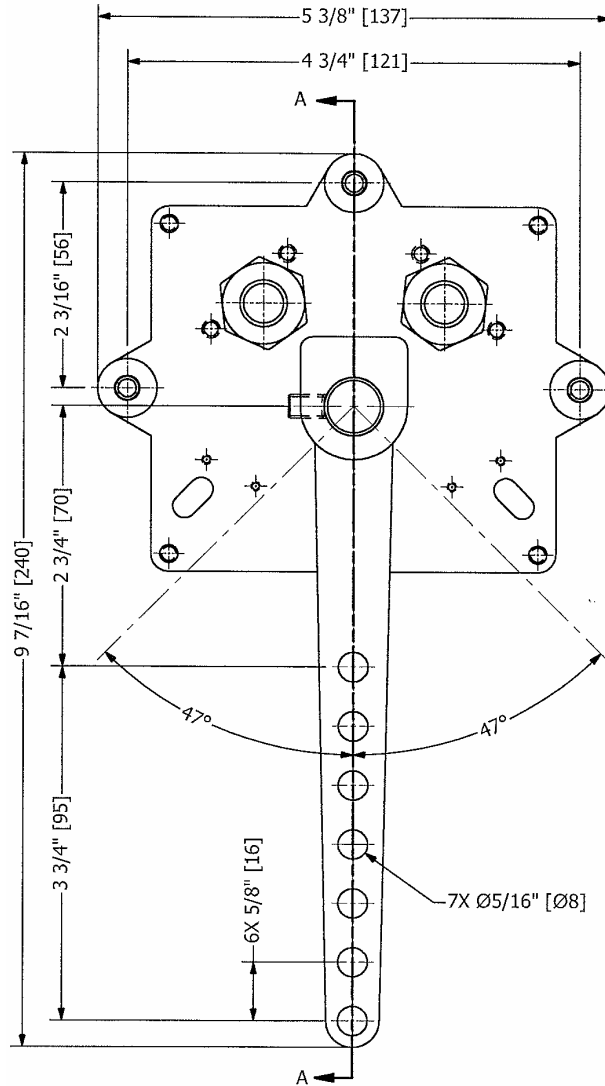
DIMENSIONS AND PARTS LIST

MODEL 7163

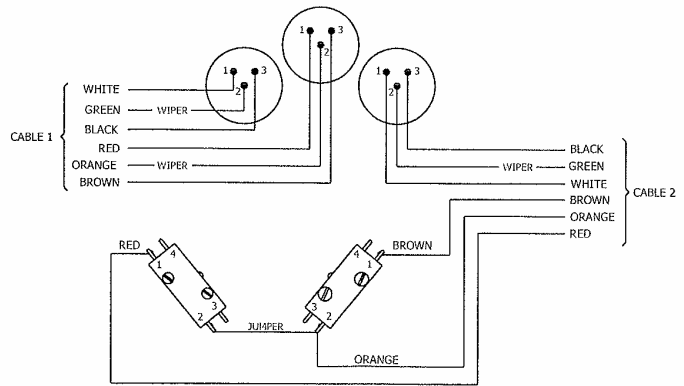


| ITEM | QTY | PART NUMBER | DESCRIPTION | ITEM | QTY | PART NUMBER | DESCRIPTION |
|------|-----|-------------|------------------|------|-----|-------------|------------------|
| 1 | 1 | 7163-0001 | Housing | 14 | 1 | 1024-0814 | Spring Pin |
| 2 | 1 | 7163-0002 | Cover | 15 | 4 | 1012-0806 | Pan Head Screw |
| 3 | 1 | 7163-0003 | Lever | 16 | 4 | 1006-0310 | Round Head Screw |
| 4 | 1 | 7163-0004 | Cam Plate | 17 | 6 | 1038-0602 | Set Screw |
| 5 | 2 | 7163-0005 | Cam | 18 | 2 | 1016-0603 | Set Screw |
| 6 | 1 | 7163-0006 | Shaft | 19 | 4 | 1012-0606 | Pan Head Screw |
| 7 | 1 | 7163-0007 | Plate | 20 | 4 | 1010-0828 | Round Head Screw |
| 8 | 4 | 7163-0008 | Spacer | 21 | 1 | 1101-0014 | "O" Ring |
| 9 | 1 | YPB-3264 | Gear 32-64 | 22 | 2 | 6001-0248 | Cable Gland |
| 10 | 3* | Y-3216 | Gear 32-16 | 23 | 3 | 7174-0009 | Spacer |
| 11 | 3* | POT-1 | Potentiometer 1K | 24 | 3 | 1001-1048 | Hex Bolt |
| 12 | 2 | 6001-0104 | Micro Switch | 25 | 1 | 1016-1006 | Set Screw |
| 13 | 1 | 7163-0009 | Gasket | | | | |

MODEL 7163



7163-B WIRING DIAGRAM



7163-C WIRING DIAGRAM