



Model 7166

Compact Electronic Helm

This unit is basically designed for electronic steering gear applications. It could, however, be used for many other purposes. It provides 2 2/3 turns from hardover to hardover and is equipped with a single potentiometer (standard is 1K pot). The shaft is machined with a standard 3/4" taper. The unit is manufactured in bronze and stainless steel which will provide years of trouble-free service.

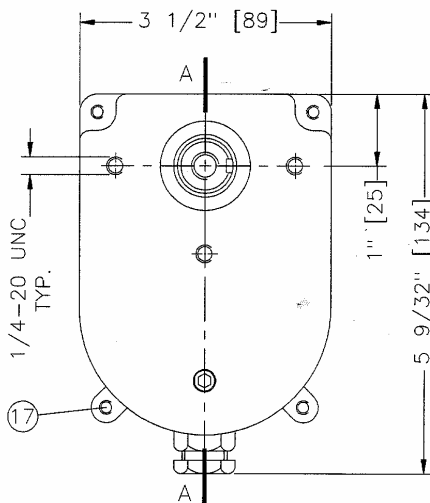
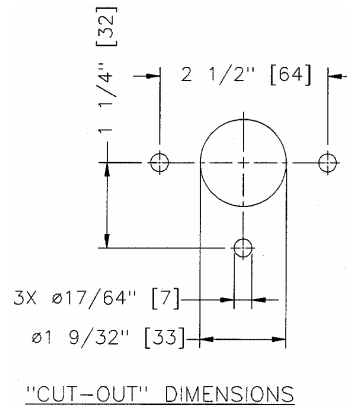
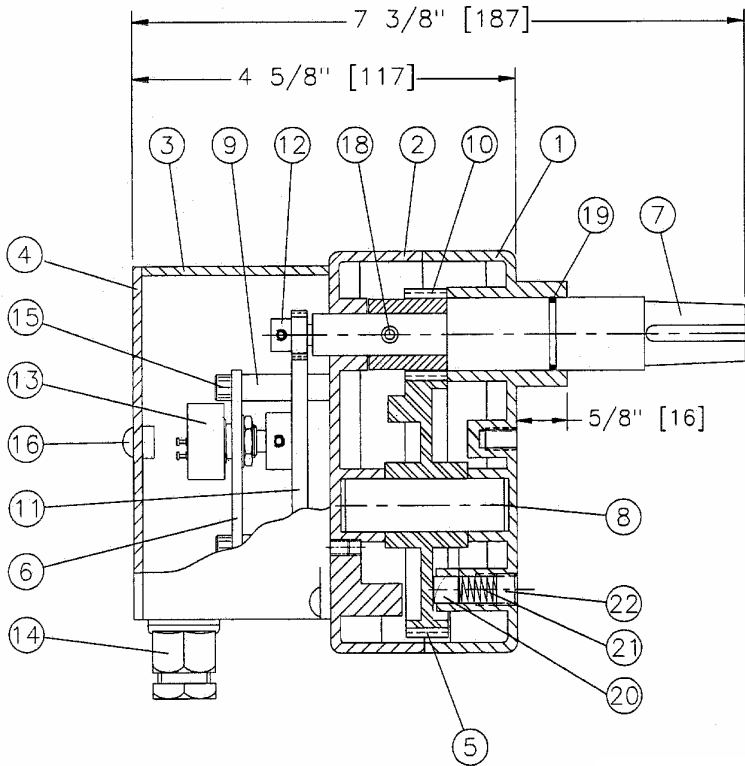
It can easily be integrated with other Kobelt's electronic and hydraulic steering components to complete the steering system.

The wheel to be used with this helm should be limited to a maximum of 18 inches (450 mm) for optimum performance. *Note:* an oversized steering wheel can damage this unit which is an **electronic** helm.

Approx. Weight:: 5.5 lb. (2.5 kg)

DIMENSIONS AND PARTS

Model 7166



All dimensions in inches (mm)

ITEM	QTY	PART NO.	DESCRIPTION
1	1	7166-0001	Front Housing
2	1	7166-0002	Rear Housing
3	1	7166-0003	Potentiometer Cover
4	1	7166-0004	Cover Plate
5	1	7166-0005	Gear
6	1	7166-0006	Bracket
7	1	7166-0007	Shaft
8	1	7166-0008	Shaft
9	3	7166-0009	Spacer
10	1	7166-0010	Gear
11	1	7166-0011	Gear YPB 3264
12	1	7166-0012	Gear Y 3216
13	1	POT-1	Potentiometer -1K
14	1	6001-0248	Connector Gland
15	3	1002-0824	Hex Socket Hd Cap Screw
16	8	1010-0806	Round Hd Philips Mach. Screw
17	2	1010-0808	Round Hd Philips Mach. Screw
18	1	1024-0814	Spring Pin
19	1	1101-0018	"O" Ring
20	1	2542-0008	Friction Pad
21	1	1201-0002	Spring
22	1	1016-1204	Set Screw