

# 7171 | FULL FOLLOW UP (FFU) CONTROL LEVER



## *Putting you in control.*

The Kobelt 7171 Full Follow Up (FFU) Control Lever is used as a command input to FFU electronic steering systems. This device can be used as either the primary steering device or for non-follow up (NFU) back-up steering control with the selection of switches.

Constructed of robust bronze and stainless steel, this device can be installed at any location on the vessel and will provide a long service life in all marine environments. The 7196 comes in a combined black and polished chrome finish.

## Specifications

Handle Travel:	45° (per direction)
Control Potentiometer:	1k $\Omega$ , 5k $\Omega$ , or 10k $\Omega$
Max Potentiometer Power:	1 W
Electrical Switch Contacts:	Form A, Normally Open (per direction)
Maximum Switch Voltage:	250 VAC / 32 VDC
Maximum Switch Current:	10 A (per switch)
Maximum Current:	10 A (per switch)
Connection:	80 in [2m] pigtail, 18 AWG [0.75 mm <sup>2</sup> ]
EMC Immunity:	per IEC 60945
IP Rating <sup>1</sup> :	IP56 (above console)
Operating Temperature:	-13°F ... 158°F [-25°C ... 70°C]
Finish:	Polyester powder coat Textured black
Product Weight:	5.0 lbs [2.2 kg]

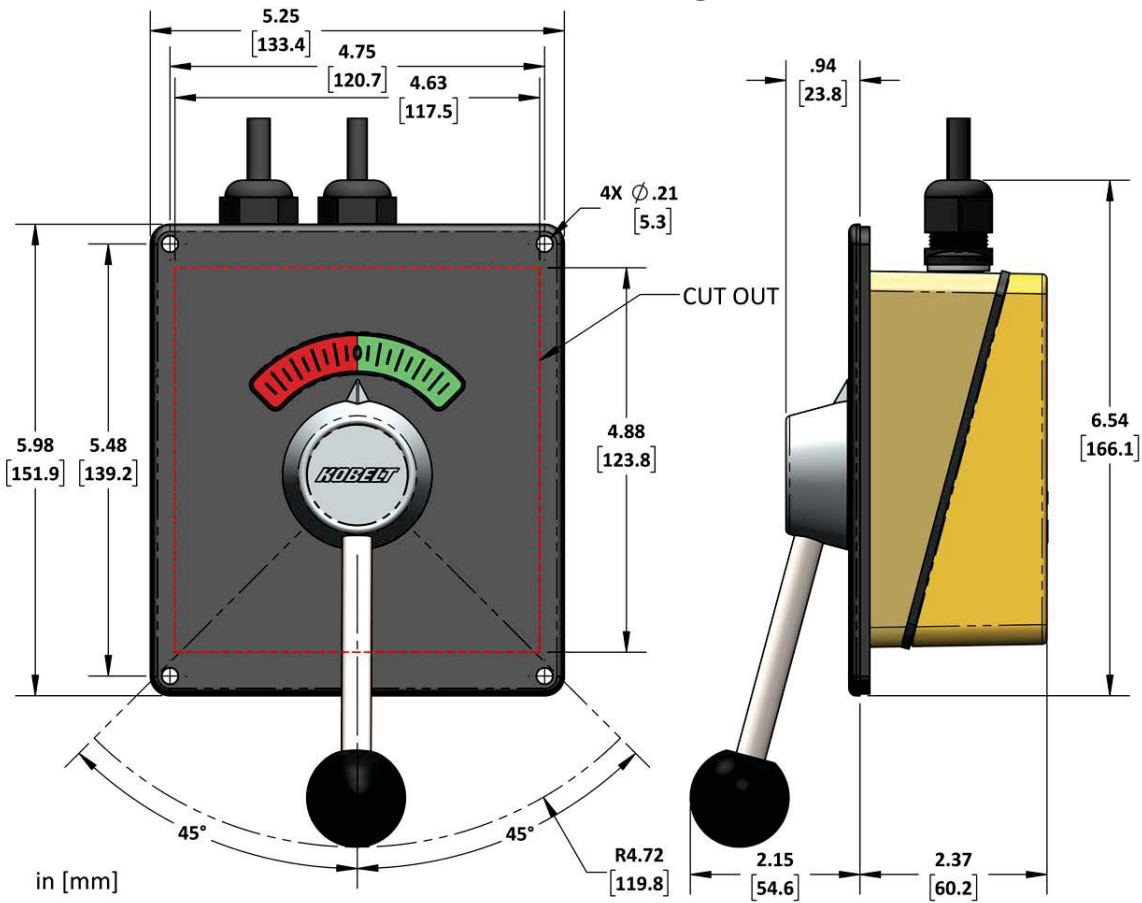
## Key Benefits

- Water-tight, corrosion resistant design
- Easy to install and operate
- Bronze and stainless steel construction
- Available in many configurations
- FFU & NFU steering commands in one device

<sup>1</sup> Requires sealed mounting screws and 3/16 in [5mm] thick console (minimum)

# SPECIFICATIONS

## General Arrangement



## Model Code Key

7171-□□□□ ← (list in order)

- (blank) = 1K potentiometer
- H = 5K potentiometer
- J = 10K potentiometer

### Potentiometer Options

- P = 1 potentiometer (no switches)
- 2P = two potentiometers (no switches)
- 4P = four potentiometers
- E = two trimpots

### Switch Options

- A = two switches + 1 potentiometer
- B = two switches + 2 potentiometers
- G = four switches

### Handle Options

- (blank) = lever operator
- SW = star wheel

## Wiring Diagram

