

# 7180 | RUDDER ANGLE INDICATOR



## *Putting you in control.*

The 7180 Rudder Angle Indicator gauge provides reliable display of rudder angle position in a compact, 2.3" diameter package at your vessel's control stations, whether you are manoeuvring or docking.

The 7180 has a waterproof and backlit face to support night and daytime operations. It is available in a Master or Slave configuration to suit your system's requirements. It can be configured with up to a total of six units in an operational loop.

The indicators are driven by a position transducer such as the Kobelt 7163, 7168, or 7174 Rudder Feedback Units (RFU).

## Specifications

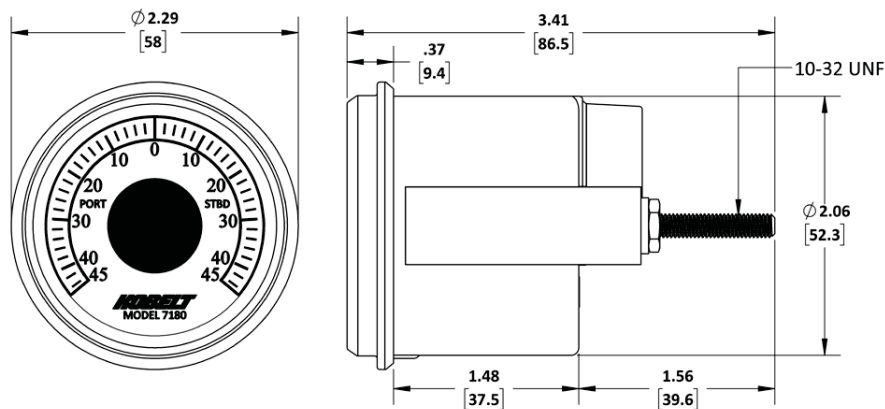
- Nominal Voltage: 24VDC / 12VDC
- Maximum Current: 40 mA
- Illumination Voltage: 24VDC / 12VDC
- Illumination Current: 330 mA (per unit)
- Movement Range:  $\pm 45^\circ$  (from centre)
- Operating Temperature:  $-13^\circ\text{F} \dots 158^\circ\text{F}$  [ $-25^\circ\text{C} \dots 70^\circ\text{C}$ ]
- Product Weight: 0.55 lbs [0.25 kg]
- Ingress Protection: IP56
- EMC Emissions: per IEC 60945
- EMC Immunity: per IEC 60945
- Compass Safe Distance: 20.07 in (51cm)

## Key Benefits

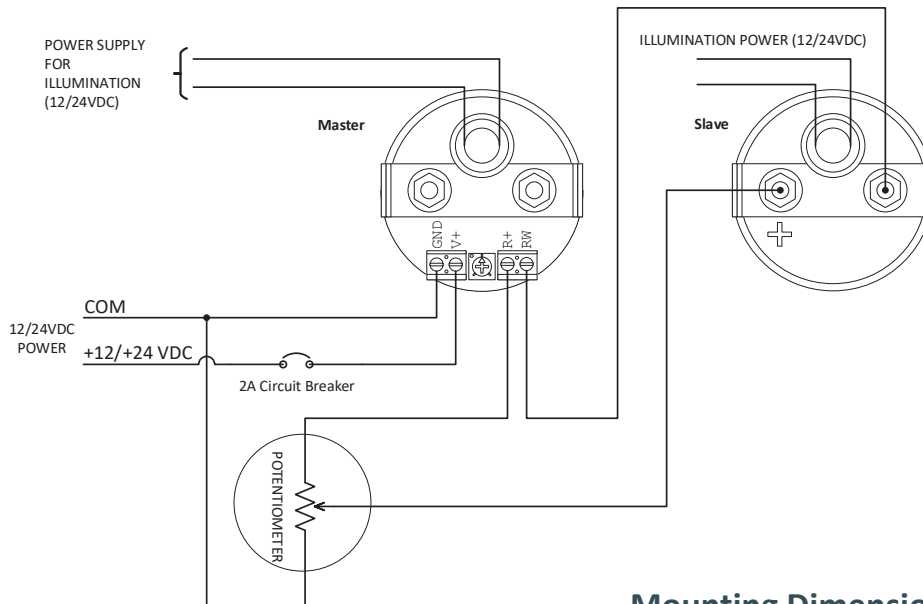
- Lab Tested to IEC 60945 Standards
- Standard Form Factor
- Designed for Durability and Reliability
- Robust Design and Construction
- Waterproof Face

# SPECIFICATIONS

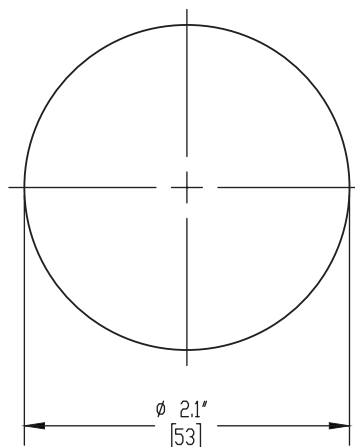
## General Arrangement



## Wiring Diagram



## Mounting Dimensions



## Model Code Key

7180-①②

① **Unit Type**

M = Master  
S = Slave

② **Illumination Voltage**

(blank) = 12 VDC  
-24 = 24 VDC