

7201-PR AUTOPILOT PUMP RELAYS

This unit is designed for many shipboard and industrial applications where low pressure and a small source of hydraulic pressure is required.

It is available with either a 12 or 24 volt DC motor and is intended for intermittent use only. It lends itself extremely well to manual steering systems where a source of pressure is required to operate the steering cylinder in conjunction with an autopilot. It could also be used in raising and lowering hatches, masts and tables.

The maximum amperage that the motor can handle on an intermittent basis is approximately 30 amps for a 12 volt motor and 15 amps for a 24 volt motor. We do, however, recommend that the motor should not draw any more than 16 amps for the 12 volt motor and 8 amps for the 24 volt motor. The table below indicates the capabilities of the motor. Adjustable safety valves for both port and starboard are provided and flow control screws provide adjustment for the variable delivery from 40 to 250 cubic inches per minute. The lock valve fitted on the pump is to prevent hydraulic feedback from the steering system. Both pump and motor are equipped with ball bearings. The pump is made of silicon bronze, stainless steel hardware with hardened steel pistons and wear plate.

To order this unit with the reversing relays, the part number is:

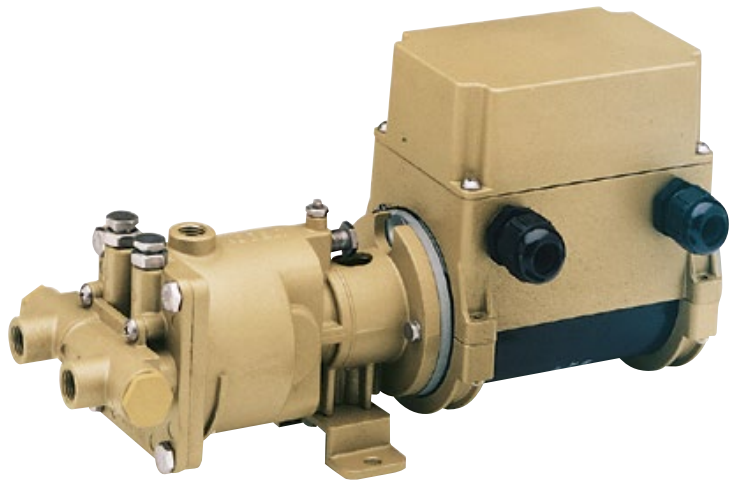
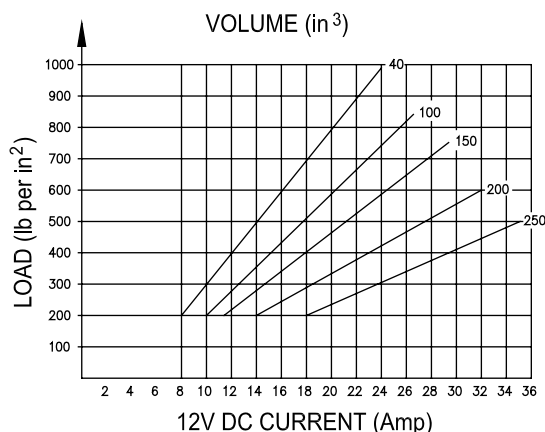
7201-PR12 (12 volt) or

7201-PR24 (24 Volt)

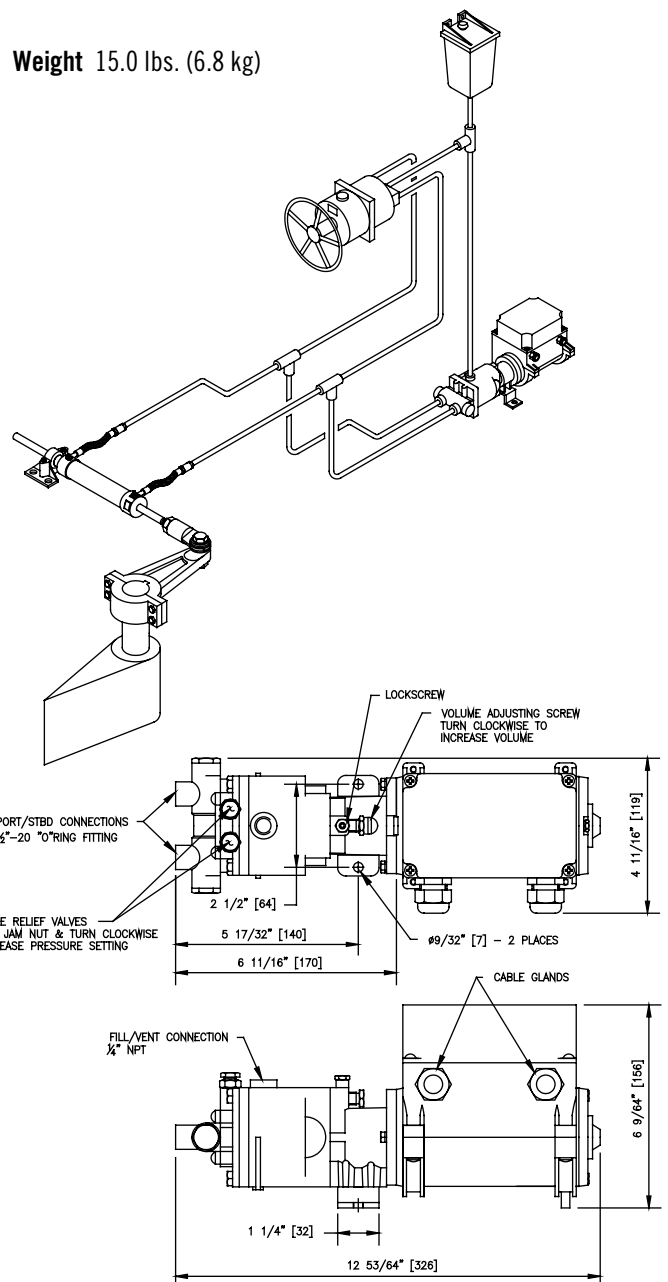
Please specify 12 or 24 volt.

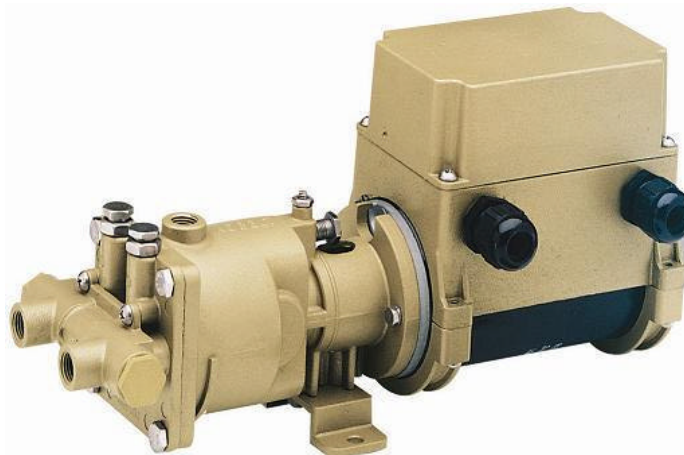
Please Note!

Pump, relay & autopilot should be the same voltage.



Weight 15.0 lbs. (6.8 kg)



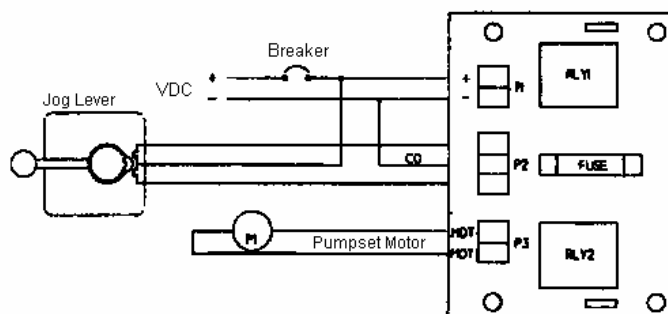
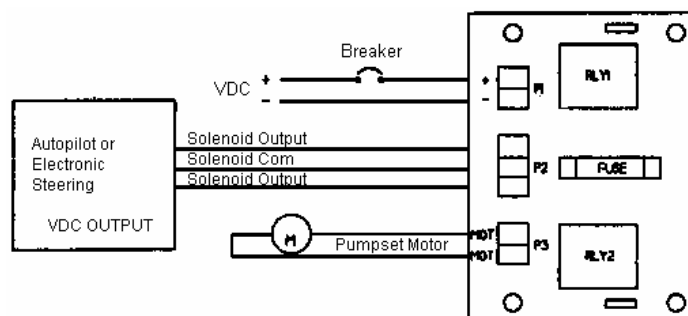


MODEL 7201-PR AUTOPILOT PUMP WITH RELAYS

The Kobelt 7201 Auto Pilot Hydraulic Pump is available integrated with control PC board. The relays on the board are capable of handling a current of 30 amp. for either rotation. A fuse is provided for maximum motor load at 30 amp. This is based on the 12-volt motor. For a 24-volt motor the maximum load is 15 amp. and the fuse is installed accordingly. The centre terminal block is for the directional control circuit and the other blocks are for the power in and power to the motor. The motor leads are located internally in the housing.

To order this unit with the reversing relays, the part number is
7201-PR12 (12 volt), or
7201-PR24 (24 volt)

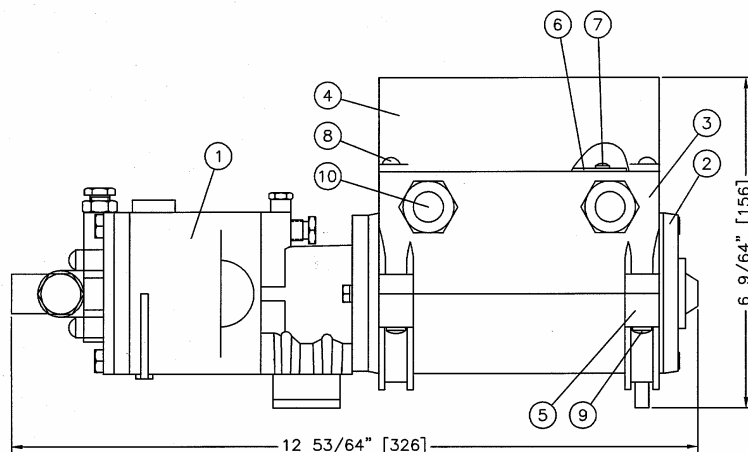
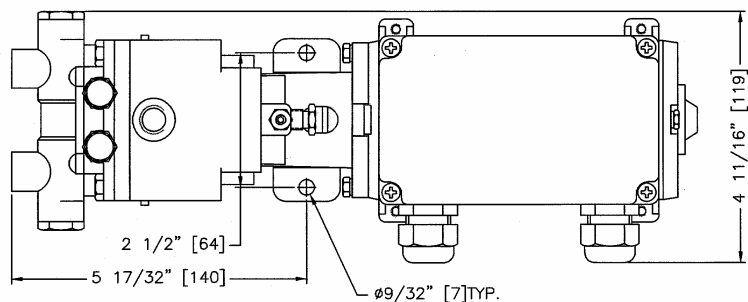
Please specify 12 or 24 volt.



PLEASE NOTE!
PUMP RELAY & AUTO PILOT
SHOULD BE THE SAME VOLTAGE

Model 7201-PR

ITEM	QTY	PART NUMBER	DESCRIPTION
1	1	7201	Autopilot Hydraulic Pump
2	1*	7201-12MT	Electric Motor 12V
2	1*	7201-24MT	Electric Motor 24V
3	1	7201-0110	Board Mount & Enclosure
4	1	7201-0111	Cover
5	2	7201-0112	Bracket
6	1	7201-1011	Circuit Board
7	4	1012-0604	Pan Hd Philips M. Screw
8	4	1012-0806	Pan Hd Philips M. Screw
9	4	1012-0816	Pan Hd Philips M. Screw
10	2	6001-0248	Connection Gland



All dimensions in inches (mm)