



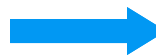
INFO	
Weight:	27 kg (Higt Version) - 24.5 (Short Version)
Average Water Consumption:	1.5 liters per flush
Color:	White (black or bone optional)
Seat:	Wood covered with casting resin
Hinge:	Stainless steel with soft closing system
Integrated bidet:	Kit Bidet Optional (WaterJet and Mixer included)



Discharge pressure
0.9 bar
(9m)



Up to 80 m

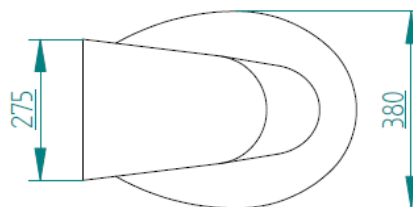
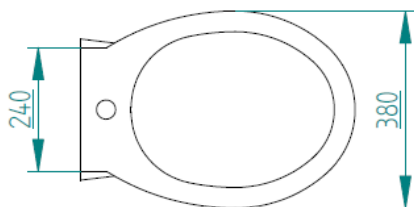
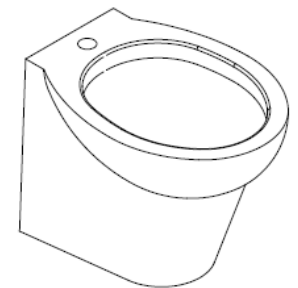
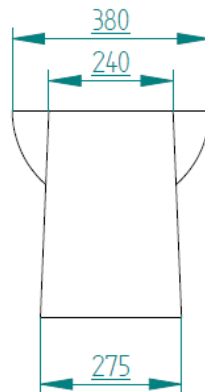
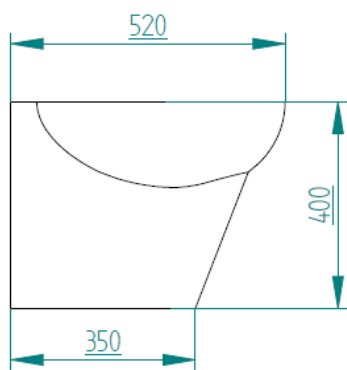
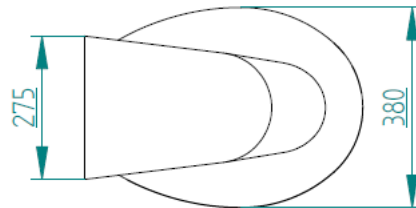
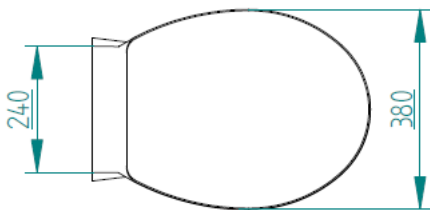
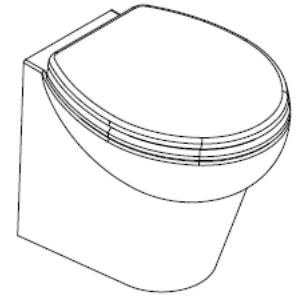
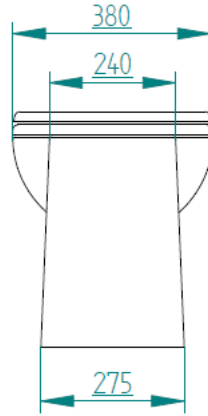
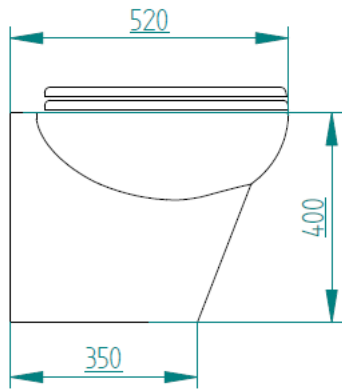


TECHNICAL SPECIFICATION OF THE MAIN COMPONENTS				
Vortex Discharge Pump				
Hydraulic performances: up to 9 m vertically, up to 80 m horizontally	Voltage	12 Vdc	24 Vdc	230 Vac
	Absorption	35 A	25 A	3 A
Inlet Electrovalve				
DIRECT ACTING Version (for both fresh water and sea water inlet systems)	Voltage	12 Vdc	24 Vdc	230 Vac
	Absorption	80 W	80 W	80 W
SERVO PILOTED Version (for fresh water inlet only)	Voltage	12 Vdc	24 Vdc	230 Vac
	Absorption	15 W	15 W	15 W
Independent Inlet Pump				
	Voltage	12 Vdc	24 Vdc	230 Vac
	Absorption	3.6 A	1.8 A	
Centralized Inlet Pump (not supplied)				
Recommended specifications	Working Pressure	Min 1 bar—Max 3 bar		

CONNECTIONS				
Hydraulic Connections				
	Inlet	Hose with ID of 20 mm (3/4")		
	Outlet	Hose with ID of 40 mm (1/2")		
Electrical Connections				
	Voltage	12 Vdc	24 Vdc	230 Vac
	Minimal wire gauge up to 5 m	6 mm ² (9 AWG)	4 mm ² (11 AWG)	0.75 mm ² (18 AWG)
	Minimal wire gauge over 5 m	10 mm ² (7 AWG)	6 mm ² (9 AWG)	1 mm ² (17 AWG)

DIMENSIONS

PLUS VERSION (TOILET AND BIDET)



www.planus.eu

