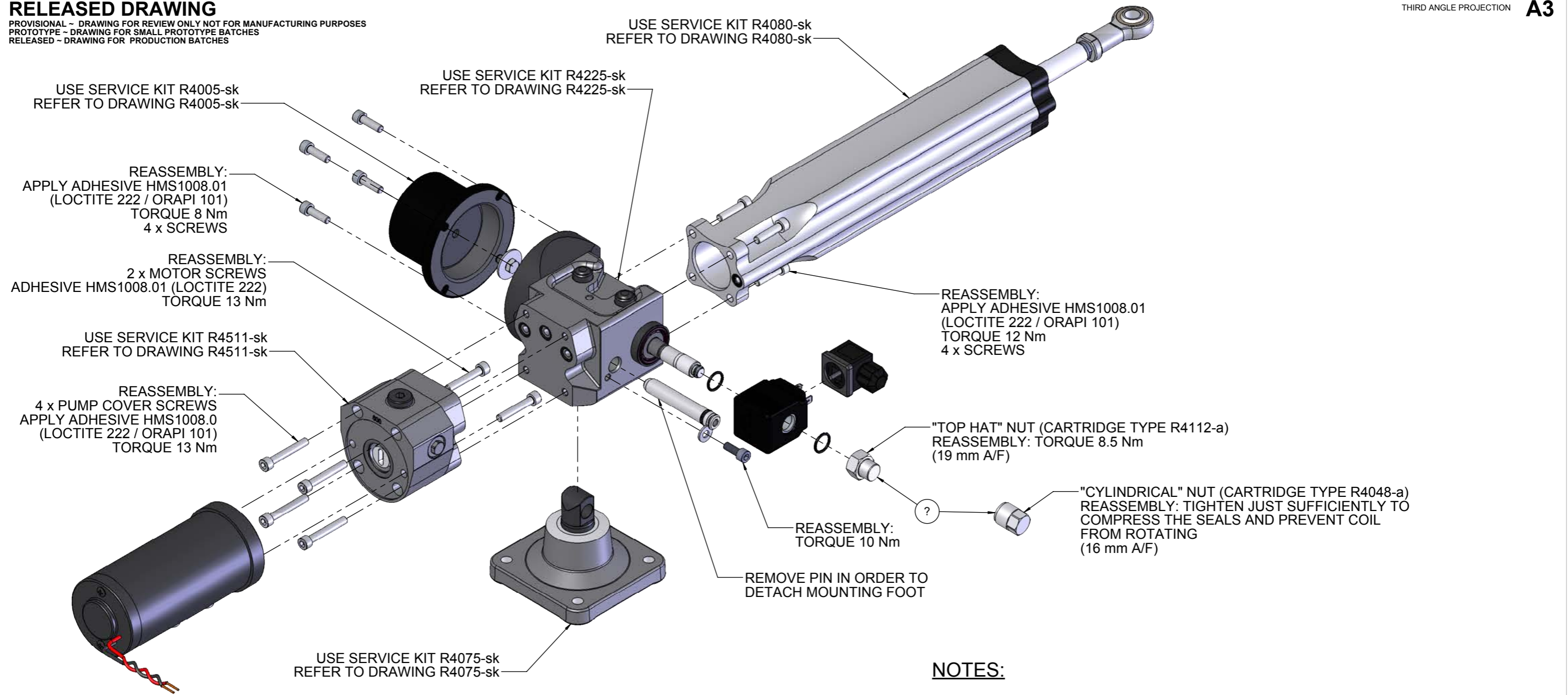


RELEASED DRAWING

PROVISIONAL - DRAWING FOR REVIEW ONLY NOT FOR MANUFACTURING PURPOSES
 PROTOTYPE - DRAWING FOR SMALL PROTOTYPE BATCHES
 RELEASED - DRAWING FOR PRODUCTION BATCHES



NOTES:

- 1) PRODUCT SERVICE KIT COMPRISES SUB-KITS LISTED IN TABLE
- 2) REFER TO SUB-KIT DRAWINGS FOR GUIDANCE, INCLUDING THE CORRECT BOLT TORQUES, LUBRICANTS AND ADHESIVES
- 3) AFTER REASSEMBLY BLEED UNIT USING KIT R4051: SEE OWNERS HAND BOOK FOR INSTRUCTIONS
- 4) ASTERISK (*) IN PART No. FIELD MEANS PART No. IS SAME AS DRAWING No.

ITEM NO.	DRG NO	PART NO	DESCRIPTION	STOCKCODE	QTY
1	R4075-sk	*	MOUNTING ASSEMBLY SERVICE KIT	NOT STOCKED	1
2	R4225-sk	*	ML+40 MANIFOLD SERVICE KIT	NOT STOCKED	1
3	R4511-sk	*	PR+ PUMP SERVICE KIT	NOT STOCKED	1
4	R4080-sk	*	MC+/ML+40 CYLINDER SUB ASSEMBLY SERVICE KIT	NOT STOCKED	1
5	R4005-sk	*	ML+40 RESERVOIR SERVICE KIT	NOT STOCKED	1

<p>Hy-Pro motion and control solutions</p> <p>© 2013 DOCUMENT: hypro.slddrw</p>	<p>TOLERANCES UNLESS OTHERWISE STATED DECIMAL None +/- 1 mm DECIMAL 0.0 +/- 0.25mm DECIMAL 0.00 +/- 0.10mm ANGLES +/- 0.5° REFER BS308 PARTS 1 TO 3 ALL DIMENSIONS IN mm</p>	MATERIAL	TREATMENT	DESCRIPTION	ML+40 ACTUATOR SERVICE KIT		
		<p>HYPRO MANUFACTURING QUALITY STANDARDS APPLY DO NOT SCALE IF IN DOUBT ASK HYDRAULIC PROJECTS LTD. 01626 863634 www.hypro.co.uk enquiries@hypro.co.uk</p>	<p>SHEET SCALE 1:3 APPROX. SCALE WHEN PRINTED A3</p>	<p>STOCK CODE NOT STOCKED</p>	<p>DRG NO R4210-sk</p>	<p>ISSUE 03</p>	<p>Sheet1 of 2</p>

