



Product Specifications Sheet



## Declaration of Conformity

We, Sleipner Motor AS hereby Declare that following Side-Power products complies with the EC Directives and Standards:

<b>Directive 2013/53/EU Recreational Craft Directive</b>	
<b>Directive 2014/35/EU - Low Voltage equipment</b>	
<b>Directive 2014/30/EU Electromagnetic Compatibility - EMC</b>	
<b>EN 60533 (2015) Electrical and electronic installation in ships - EMC</b>	
PPC 520	Power Control Proportional 500A
PPC 820	Power Control Proportional 1000A

*Arne Skauen*  
.....

FREDRIKSTAD, 20th of January 2017

Arne K Skauen  
Managing Director, Sleipner Motor AS

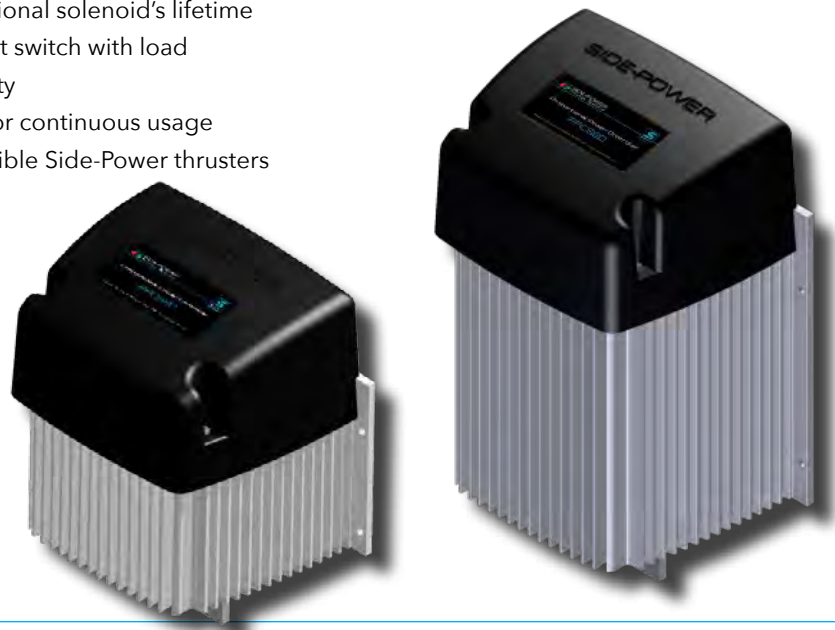
## PPC 820 and PPC 520 DC Speed Controller

*The DC Power Controller is built with the same high safety standards as all Side-Power products. Our focus on safety is a totally integral part of the product design so that everything from build quality to ease of installation is thought of to ensure long term reliability.*

This controller becomes an integral part of the thruster system together with the S-Link PJC21x series control panels and have intelligent safety features monitoring both the thruster motor as well as its own function and performance. (S-link software version 2.018 required)

### Product features

- Plug and play S-link control cable wiring
- Easy to access, robust main cable terminals
- Reliable solid state switching
- Increases the thruster's directional solenoid's lifetime because the solenoids will not switch with load
- IPC intelligence for extra safety
- Low loss and active cooling for continuous usage
- Can be retro-fitted to compatible Side-Power thrusters





Product Specifications Sheet



PPC 520

Compatible products

PPC 520
SEP/40/125 S 12V
SEP/50/140 S 12V
SEP/50/140 S 24V
SEP/60/185 S 12V
SEP/60/185 S 24V
SEP/SRP/SRVP/SRLP/SXP 80/185 T 24V
SEP/SRP/SRVP/SRLP/SXP 100/185 T 24V
SEP/120/215 T 24V
SEP/SRVP 130/250 T 24V

PPC 820

Compatible products

PPC 820
SEP/SRP/SRVP/SRLP/SXP 80/185 T 12V
SEP/SRP/SRVP/SRLP/SXP 100/185 T 12V
SEP/SRVP 130/250 T 12V
SEP/150/215 T 24V
SEP/SRVP 170/250 TC 24V
SEP 210/250 TC 24V
SP/SEP 240 TCi 24V



Thrust kg/lbs	Thruster Voltage	Model	Max output current
30/66 - 60/132	12 V	<b>PPC520</b>	500A
60/132 - 130/284	24 V		
80/176 - 130/284	12 V	<b>PPC820</b>	1000A
150/330 - 240/528	24 V		



Product Specifications Sheet

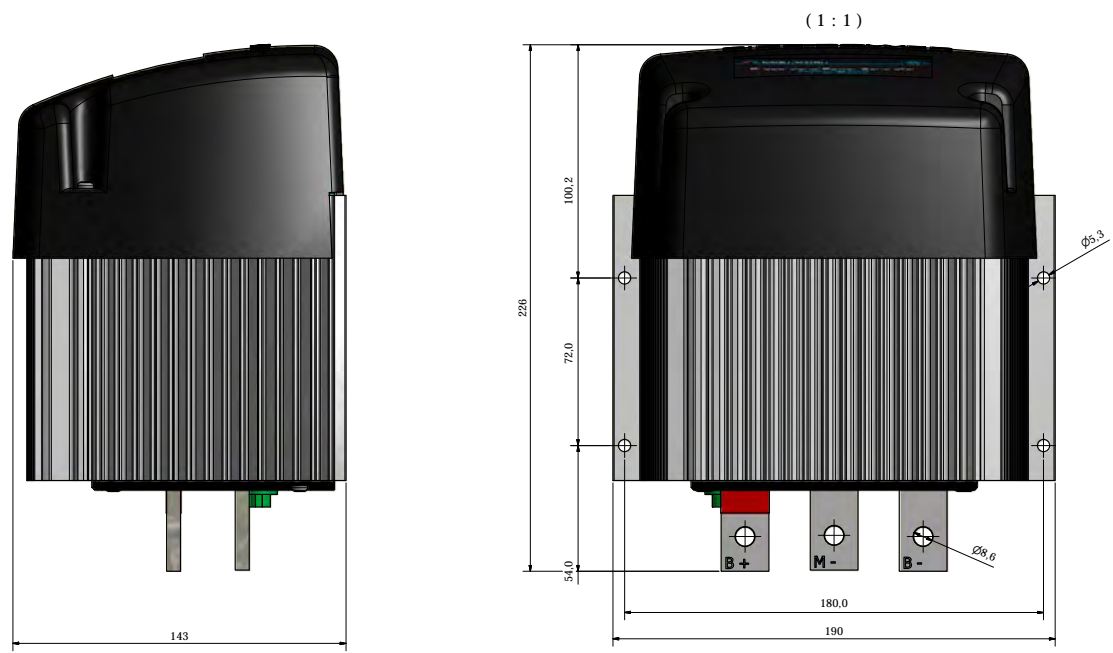


PPC 520

Technical specifications

<b>Supply voltage</b>	9-31V
<b>Output voltage</b>	20-100%
<b>Output current</b>	Max. 500A
<b>Regulation</b>	PWM, S-link controlled
<b>Protection</b>	Thermal, under-voltage, overcurrent
<b>Dimensions (WxHxD)</b>	190x226x143mm

Dimensions





**SIDE-POWER**  
Thruster Systems



Product Specifications Sheet

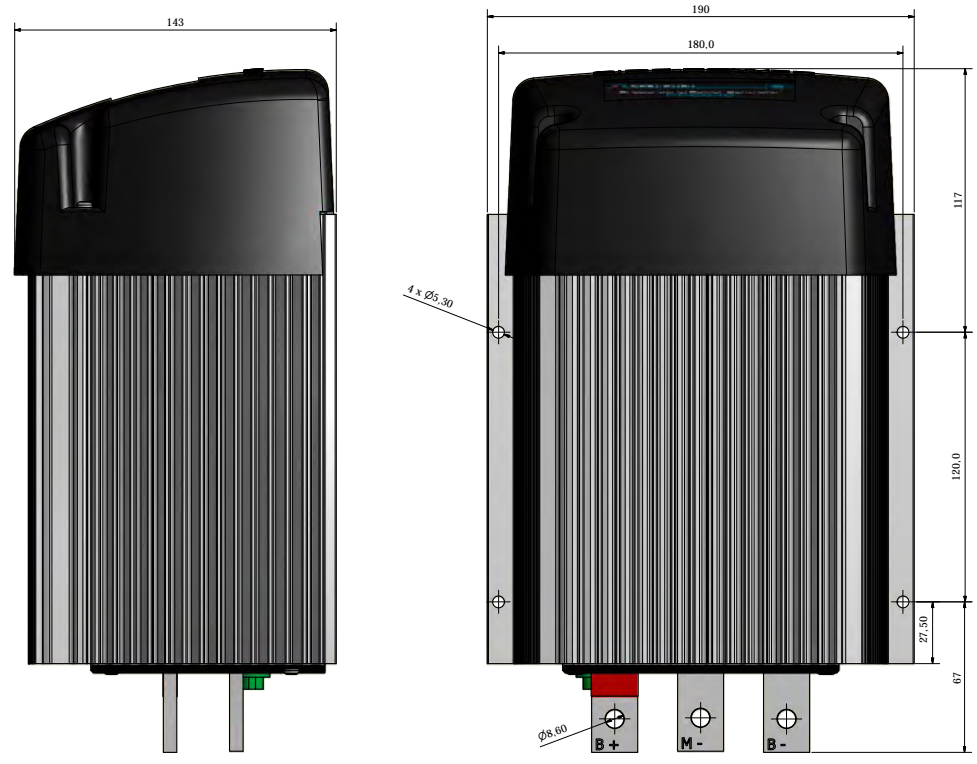


PPC 820

Technical specifications

<b>Supply voltage</b>	9-31V
<b>Output voltage</b>	20-100%
<b>Output current</b>	Max. 1000A
<b>Regulation</b>	PWM, S-link controlled
<b>Protection</b>	Thermal, under-voltage, over-current
<b>Dimensions (WxHxD)</b>	190x304x143mm

Dimensions



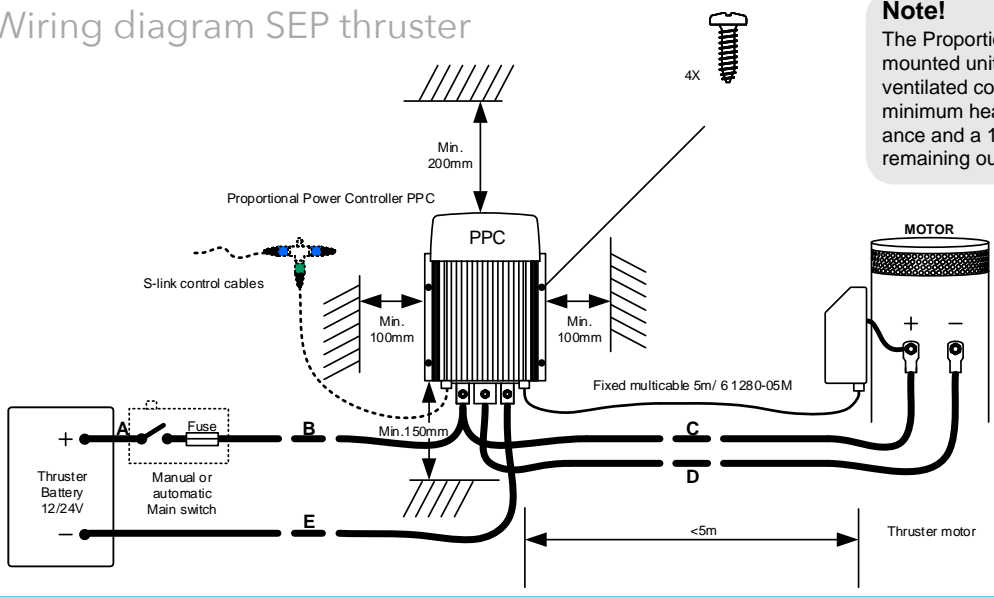


Product Specifications Sheet

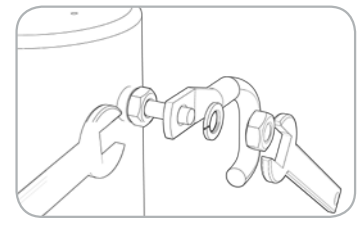


PPC 820 and PPC 520

Wiring diagram SEP thruster

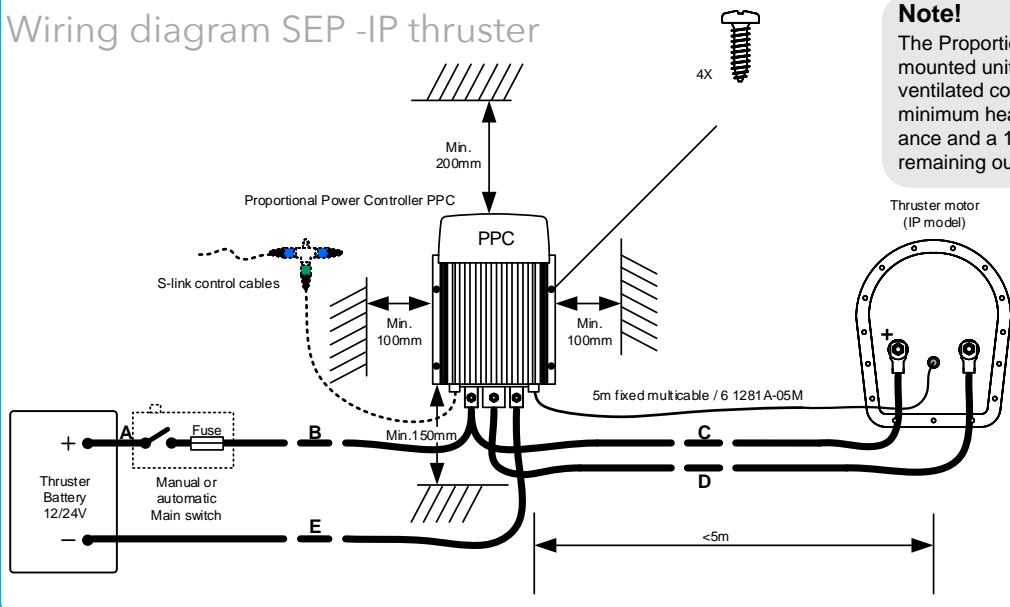


**Note!**  
The Proportional Power Controller is a bulkhead (wall) mounted unit and must be installed in a dry and well ventilated compartment. The unit also requires a 200mm minimum head clearance, 150mm minimum bottom clearance and a 100mm minimum clearance surrounding its remaining outer casing.

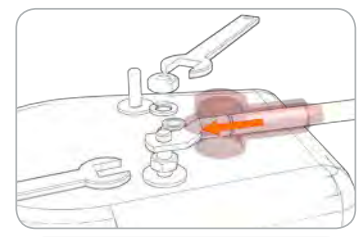


**Note!**  
Do NOT use washers between lugs and terminals, this can cause over heating. Washers must be placed in outer position before tightening nut.

Wiring diagram SEP -IP thruster



**Note!**  
The Proportional Power Controller is a bulkhead (wall) mounted unit and must be installed in a dry and well ventilated compartment. The unit also requires a 200mm minimum head clearance, 150mm minimum bottom clearance and a 100mm minimum clearance surrounding its remaining outer casing.



**Note!**  
Do NOT use washers between lugs and terminals, this can cause over heating. Washers must be placed in outer position before tightening nut.



Sleipner Motor AS  
P.O. Box 519,  
N-1612 Fredrikstad, Norway  
www.side-power.com



The information given in the document was correct at the time it was published. However, Sleipner Motor AS can not accept liability for any inaccuracies or omissions it may contain. Continuous product improvement may change the product specifications without notice. Therefore, Sleipner Motor AS can not accept liability for any possible differences between product and document.