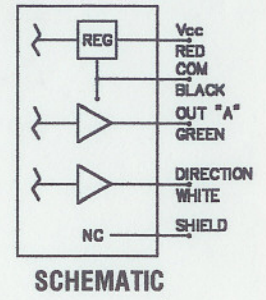
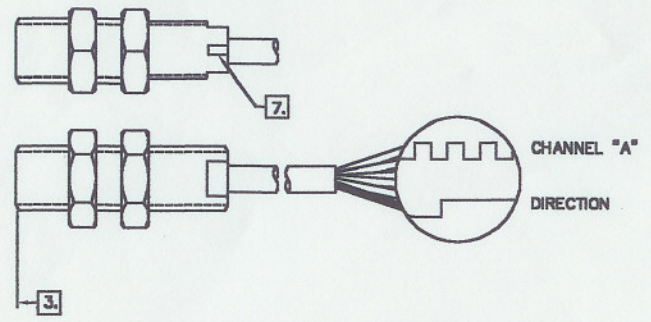
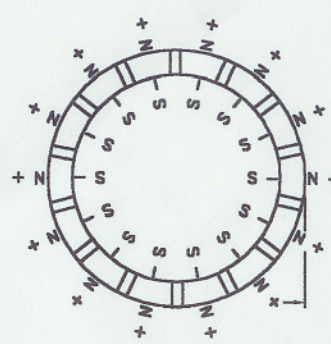
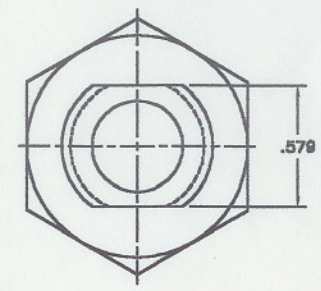
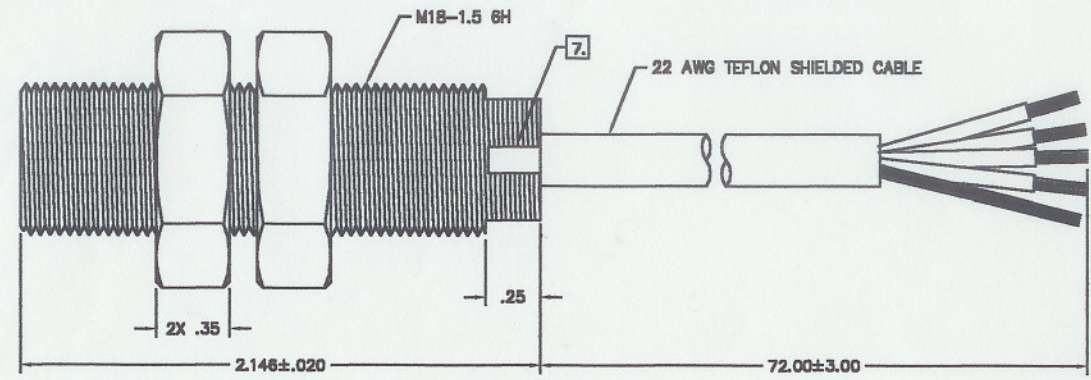
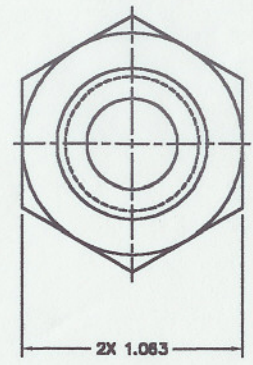


Revised Drawing SS-3



REVISIONS			
LTR	DESCRIPTION	DATE	APPVD
-	PRELIMINARY RELEASE	6.19.02	



SPECIFICATIONS:

1. INPUT VOLTAGE: 5 TO 24 VDC.
2. TARGET: AETNA MAGNETIC STRIP TT100.
3. AIRGAP: .059.
4. DUTY CYCLE: 50 ± 10%.
5. OUTPUT "A": LOGIC 1: 5.5 VDC MIN AT NO LOAD.
LOGIC 0: 0.8 VDC AT 10 mA SINK.
6. DIRECTION OUTPUT: LOGIC 1 IN ONE DIRECTION.
7. ROTATION TOWARDS NOTCH PRODUCES A LOGIC 1 HIGH.
DIRECTION CW: HIGH, DIRECTION CCW: LOW.
9. OPERATING TEMPERATURE RANGE: -40°C TO 125°C.
10. CASE AND JAM NUT MATERIAL: 303 STAINLESS STEEL.
11. FREQUENCY: 0-12 KHz.
12. SHORT CIRCUIT PROTECTION: ANY LEAD TO ANY LEAD.
13. Vcc OVERVOLTAGE PROTECTION: 40 VDC.
14. REVERSE POLARITY PROTECTION: -50 V REVERSE TRANSIENTS.
15. LOAD DUMP: 60 V.
16. UNIT INCORPORATES SHORT CIRCUIT PROTECTION.
17. HOUSING AND JAM NUT MATERIAL: 300 SERIES STAINLESS STEEL.

UNLESS OTHERWISE SPECIFIED DIMENSIONS ARE IN INCHES TOLERANCES ARE FRACTIONS: DECIMALS: ANGLES: ±1/64 .001 ±1/2°		CONTRACT NO.		Aetna Engineering 1.800.776.7962	
MATERIAL		APPROVALS	DATE	DIRECTION DETECTING ZERO SPEED SENSOR	
FINISH		DRAWN A.P.W.	6.19.02		
NEXT ASSY USED ON APPLICATION		CHECKED	APPRVD		
DO NOT SCALE DRAWING		SS-3		SIZE B	CODE INCDENT OLVP6
				DRAWING NO. SK10983	
				SCALE: NONE	SHEET 1 OF 1