

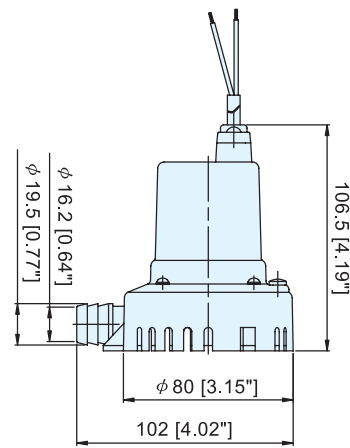
BILGE PUMPS - TO1 SERIES



TMC-O2301

MOTOR	:12V / 24V
CAPACITY	:400GPH (1512 LPH)
AMP DRAW	:3A (12V) / 2A (24V)
FUSE SIZE	:4A (12V) / 2.5A(24V)
HOSE DIA.	:5/8" (16.2mm)
DELIVERY HEAD	:12.5FT. (3.8M)
DIMENSION (LxWxH)	:102x89.5x106.5 mm (4.02"x3.52"x4.19")
PACKING	:50pcs/ctn/2.7cuft
WEIGHT	:27.3kgs/ctn
MIN Q'TY	:50pcs
ORDERNO.	
503-0104011	12V
503-0104012	24V
503-0104021	12V

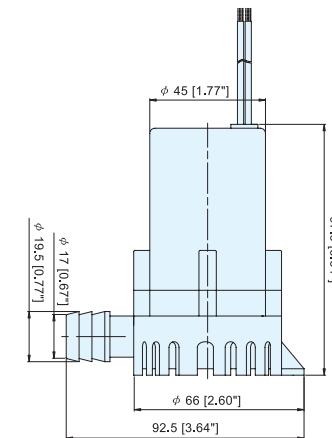
COMES WITH MOUNTING BRACKET
503-0104022 24V
COMES WITH MOUNTING BRACKET



TMC-O2303

MOTOR	:12V / 24V
CAPACITY	:300GPH (1134 LPH)
AMP DRAW	:1.4A (12V) / 1A (24V)
FUSE SIZE	:2A (12V) / 1.5A(24V)
HOSE DIA.	:11/16" (17mm)
DELIVERY HEAD	:5FT. (1.5M)
DIMENSION (LxWxH)	:92.5x66x97.5 mm (3.64"x2.6"x3.84")
PACKING	:60pcs/ctn/1.97cuft
WEIGHT	:19.5kgs/ctn
MIN Q'TY	:60pcs
ORDERNO.	
503-0103011	12V
503-0103012	24V
503-0103021	12V

COMES WITH MOUNTING BRACKET
503-0103022 24V
COMES WITH MOUNTING BRACKET



TMC Float Switches for Purchasing Options / Safety Protector Panel



TMC-08121
Order No. 502-8101011



TMC-0812202
Order No. 502-8102020



TMC-0812201
Order No. 502-8102010



TMC-0240301
Order No. 502-2403011 12V
502-2403012 24V

Caution:

- For bilge pumps that draws current above 10A, this float switch must be used in combination with - TMC panel switch model: 02403 (sold separately).
- For bilge pumps that draws current below or equal 10A, tmc panel switch is optional for better protection.

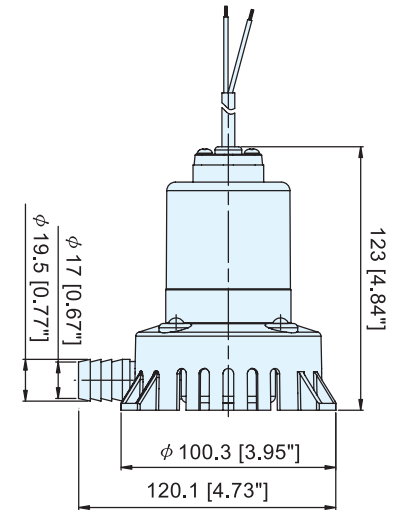
* For automatic operation please refer to p13-14

BILGE PUMPS - TO1 SERIES



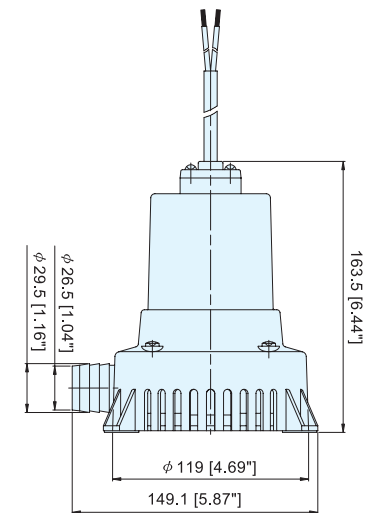
TMC-O3301

MOTOR	:12V / 24V
CAPACITY	:600GPH (2274 LPH)
AMP DRAW	:4A (12V) / 2.7A (24V)
FUSE SIZE	:6A (12V) / 4A(24V)
HOSE DIA.	:11/16" (17mm)
DELIVERY HEAD	:10FT. (3M)
DIMENSION (LxWxH)	:120.1x98x123 mm (4.73"x3.86"x4.84")
PACKING	:30pcs/ctn/2.24cuft
WEIGHT	:20.8kgs/ctn
MIN Q'TY	:30pcs
ORDERNO.	
503-0106011	12V
503-0106012	24V



TMC-O3601

MOTOR	:12V / 24V
CAPACITY	:1400GPH (5298 LPH)
AMP DRAW	:7A (12V) / 3A (24V)
FUSE SIZE	:10A (12V) / 4A(24V)
HOSE DIA.	:1" (26.5mm)
DELIVERY HEAD	:9FT. (2.7M)
DIMENSION (LxWxH)	:160x129.5x163.5 mm (6.3"x5.1"x6.44")
PACKING	:12pcs/ctn/1.91cuft
WEIGHT	:17.2kgs/ctn
MIN Q'TY	:12pcs
ORDERNO.	
503-0114011	12V
503-0114012	24V



REPAIR KITS FOR BILGE PUMP

COMPLETE WITH RUBBER O-RING, IMPELLER, GLAND, SHAFT SEAL, E-RING, TOP O RING & SCREWS.

TMC-00001	FOR 400 GPH BILGE PUMP
TMC-00002	FOR 600 GPH BILGE PUMP
TMC-00003	FOR 1400 GPH BILGE PUMP
TMC-00004	FOR 1750 GPH BILGE PUMP
TMC-00005	FOR 2300 GPH BILGE PUMP
ORDER NO.	
504-0301001	TMC-00001
504-0301002	TMC-00002
504-0301003	TMC-00003
504-0301004	TMC-00004
504-0301005	TMC-00005



* For automatic operation please refer to p13-14