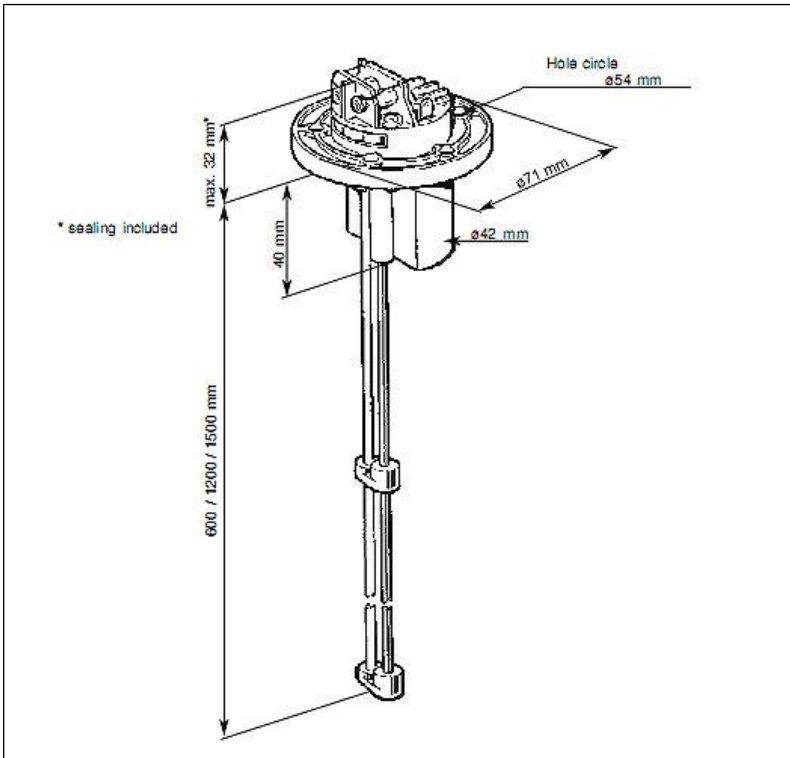


3.3.1 Fresh Water Level Sensor

Dimensions of sensor (mm):



Part number	Tank height
N02-240-402	80 to 600mm
N02-240-404	600 to 1200mm
N02-240-406	1200 1500mm
N05-001-370	Flange

Technical data	
Capacitive sensor:	output 4-20mA
For tank height:	80 to 1500 mm
Operating voltage:	da 6V a 24V
Operating temperature:	-30°C a +70°C
Fitting flange:	5 holes Ø 54mm

Lever type fresh water level sensors

Insulated return, stainless steel	
Operating voltage	da 6V a 24V
Tank height	200-600mm
Ohm value	0-180Ω

Part number	Tank height
226-828-001-001K	200 to 600mm

