

PRODUCT BASIC INFORMATION

# VL 2-IN-1 VOLTMETER HOUR COUNTER

Easy to install, easy to customize, easy to use.



# DIGITAL HOUR COUNTER AND VOLTMETER

## More than a simple counter

### KEY FEATURES

- ▾ 2 instruments in 1 with digital engine hour counter and voltmeter
- ▾ Segment display with white LED backlight
- ▾ Suits different applications thanks to the 48V operating voltage
- ▾ Automatic data switch every 10 seconds
- ▾ Plastic front double lens
- ▾ Black and white variants available
- ▾ 9 different styling rings to customize your dashboard
- ▾ Front and flush panel mount

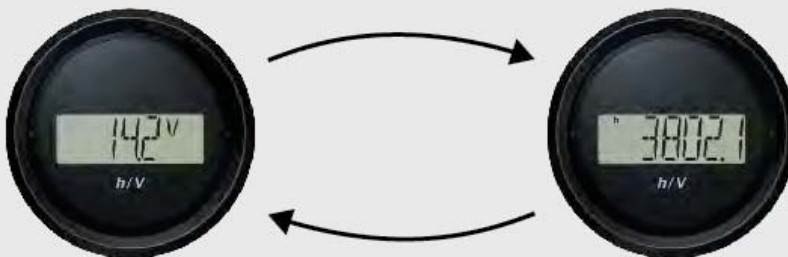


The VL two-in-one instrument features a bright and well readable LCD designed to display both your engine hours and a digital voltmeter to have your battery information also under control.

Its extended operating voltage up to 60 V makes it a perfect solution for the most diverse applications, from marine engines to static generators, material handling machines, and many more.

The display automatically toggles between the two values every 10 seconds for a completely hands free operation.

Black and white variants are available and customizable with nine styling rings in different shapes and colors.



**Automatic display toggle every 10 seconds**

### ACCESSORIES AND SPARE PARTS

Cable 8 wires*	A2C59512947
Spinlock Nut 52 mm*	A2C5205947101
Flush mount kit	A2C59510864
Bezel Flat black	A2C5318604001
Bezel Flat white	A2C5318602201
Bezel Flat chrome	A2C5318602301
Bezel Triangular black**	A2C5318602401
Bezel Triangular white**	A2C5318602501
Bezel Triangular chrome	A2C5318602601
Bezel Round black**	A2C5318602701
Bezel Round white**	A2C5318602801
Bezel Round chrome	A2C5318602901

\* included in the box

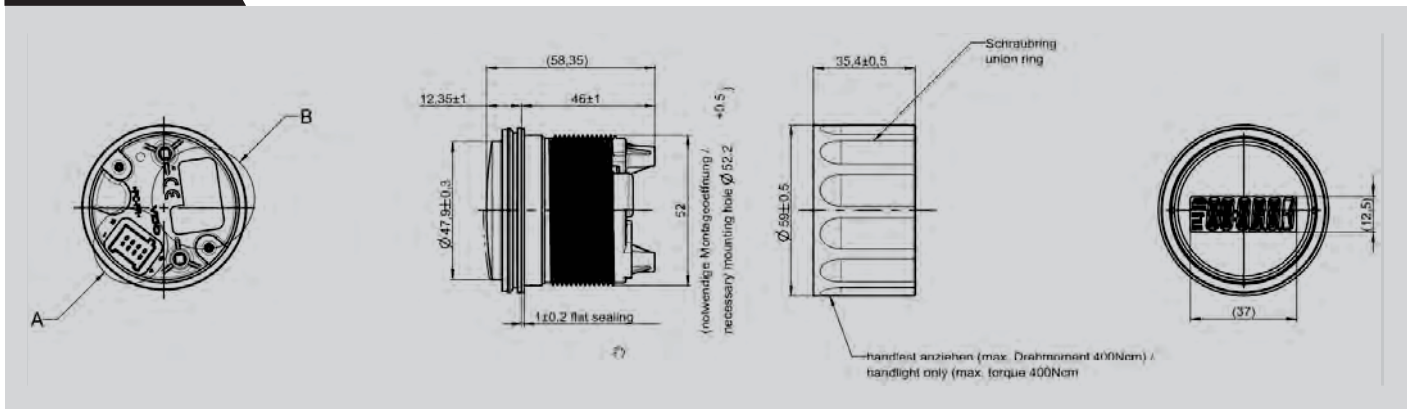
\*\* included in the box, see variant descriptions



/ Nine styling front rings are available to match your favorite style



## DIMENSIONS



## TECHNICAL DATA

<b>Nominal voltage</b>	12 / 24 / 48 V
<b>Operating voltage</b>	9 - 60 V with reverse polarity and over voltage protections
<b>Current consumption</b>	≤ 50 mA @ 12 V
<b>Display</b>	Segment TN+ with white LED backlight
<b>Dimensions</b>	Installation diameter: 52 mm Outer diameter: 60 mm (with bezel) Installation depth: 46 mm
<b>Mounting</b>	Spinlock Nut (Front panel mount) Flush mount (via flush mounting kit)
<b>Protection class</b>	IP67 front IP52 rear acc. to IEC 60529
<b>Operating temperature</b>	-40 to +80°C
<b>Storage temperature</b>	-40 to +85°C
<b>Material</b>	Housing: PC (black) Lens: PMMA double lens Bezel: ABS (Chrome), PC (Black, White)
<b>Connector</b>	Tyco/Hirschmann MQS plug, 8 pin
<b>Flammability</b>	V0 acc. to UL-94
<b>Compliance</b>	CE, UKCA, Reach, RoHS

## » BLACK AND WHITE VARIANTS



## VARIANTS

Black with round black bezel	B00005302	White with round white bezel	B00006302
Black with triangular black bezel	B00005303	White with triangular white bezel	B00006303



**The new VL 2-in-1 replaces the old mechanical hour counter and adds more value with the digital voltmeter**